

S20

MAGNETIC TRACK LAMP

20款 磁吸轨道系列





MAGNETIC GRILLE LIGHT

Short

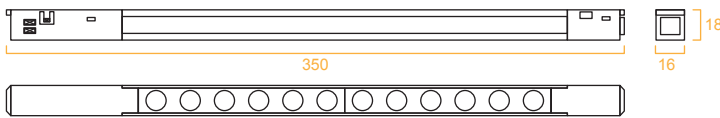




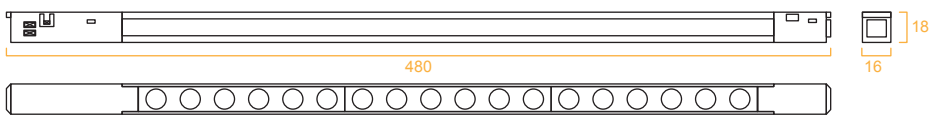
20矮款-线条格栅灯

■ BLACK □ WHITE

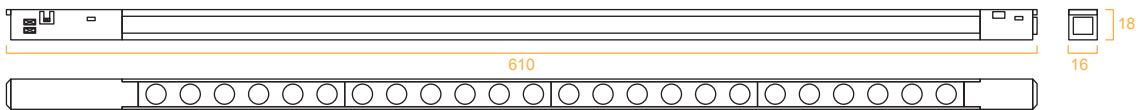
Input	System Power	LED Power	CRI	Beam Angle	CCT
48V	12 / 18 / 24 W	OSRAM	Ra≥90	24°	3000K,4000K,More..



Model NO.: **FL26-12TA** System Power: **12W**



Model NO.: **FL26-18TA** System Power: **18W**



Model NO.: **FL26-24TA** System Power: **24W**



20矮款-线条泛光灯

■ BLACK □ WHITE

Input	System Power	LED Power	CRI	Beam Angle	CCT
48V	10 / 20 / 30 W	OSRAM	Ra≥90	120°	3000K,4000K,More..



Model NO.: **FL26-300FA** System Power: **10W**



Model NO.: **FL26-600FA** System Power: **20W**



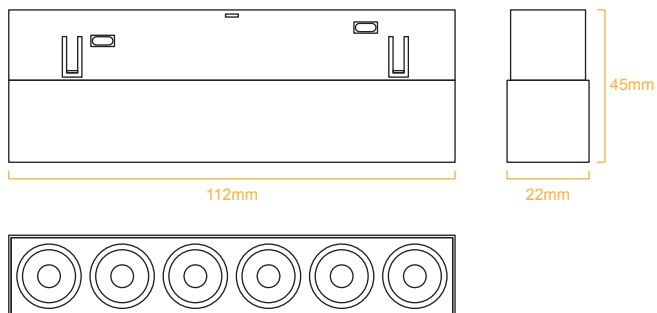
Model NO.: **FL26-900FA** System Power: **30W**





MAGNETIC GRILLE LIGHT

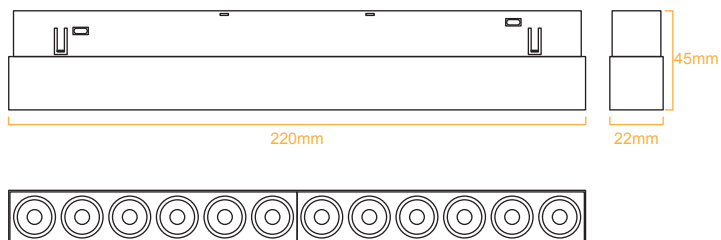




线条格栅灯-6W

BLACK
 WHITE

Model NO.	Input -	System Power	LED Power	CRI -	Beam Angle	CCT -
FL26-6T	48V	6W	OSRAM	Ra≥90	36°	3000K,4000K,More..



线条格栅灯-12W

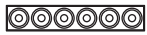
BLACK
 WHITE

Model NO.	Input -	System Power	LED Power	CRI -	Beam Angle	CCT -
FL26-12T	48V	12W	OSRAM	Ra≥90	36°	3000K,4000K,More..

MAGNETIC GRILLE LIGHT

线条格栅灯

■ BLACK □ WHITE



▶ 112mm
Model NO.: **FL26-6T** System Power: **6W**



▶ 220mm
Model NO.: **FL26-12T** System Power: **12W**



▶ 328mm
Model NO.: **FL26-18T** System Power: **18W**



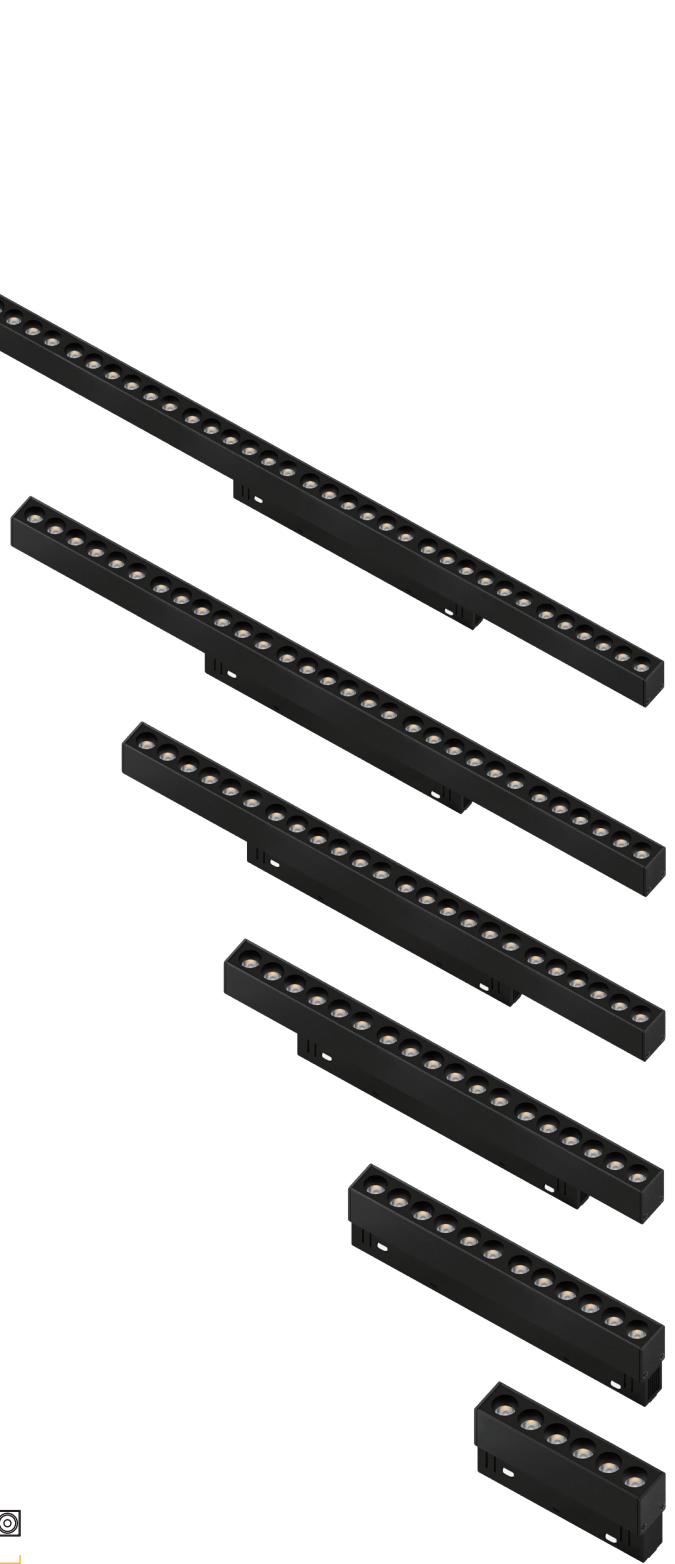
▶ 435mm
Model NO.: **FL26-24T** System Power: **24W**



▶ 543mm
Model NO.: **FL26-30T** System Power: **30W**



▶ 1080mm
Model NO.: **FL26-60T** System Power: **45W**





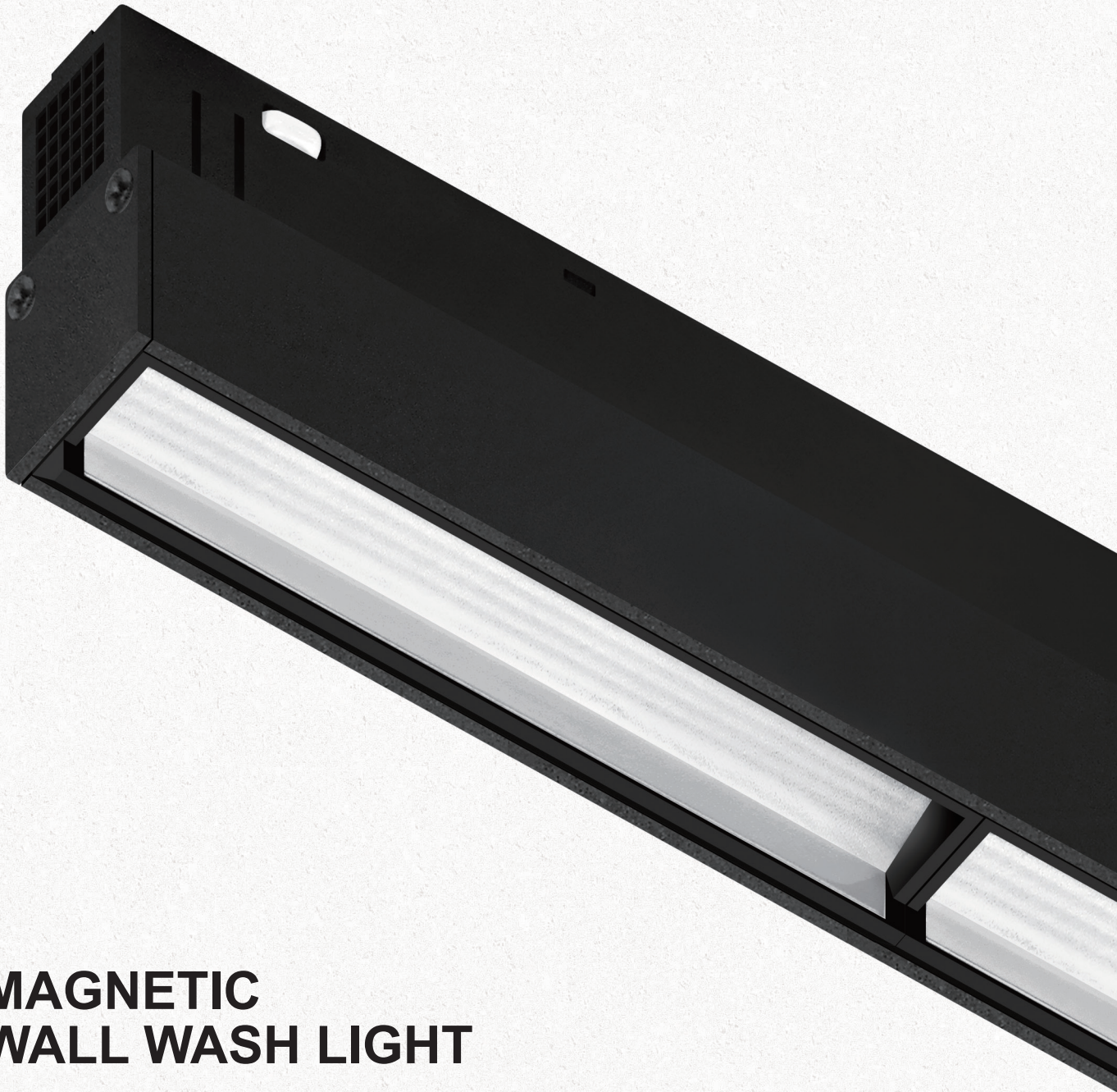
12:20

BOOKS

WOOD GRAIN BACKSPLASH

WHITE CABINETS

MARBLE COUNTERTOP

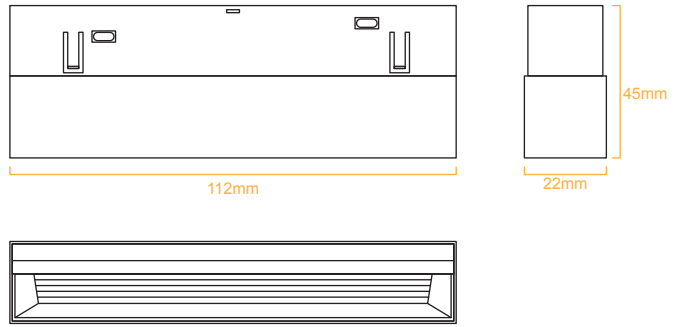


MAGNETIC WALL WASH LIGHT

6W/12W/18W/24W/30W/45W



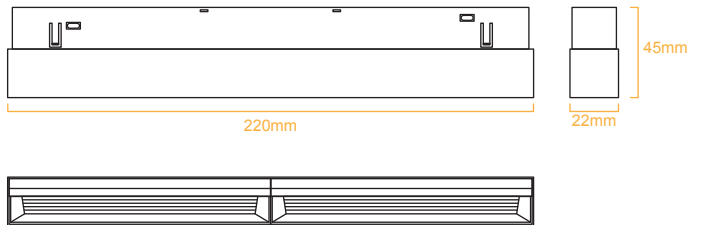
S20 MAGNETIC TRACK LAMP



线条偏光灯-6W

BLACK
 WHITE

Model NO.	Input	System Power	LED Power	CRI	Beam Angle	CCT
FL26-6TP	48V	6W	OSRAM	Ra≥90	POLARIZED	3000K,4000K,More..



线条偏光灯-12W

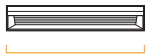
BLACK
 WHITE

Model NO.	Input	System Power	LED Power	CRI	Beam Angle	CCT
FL26-12TP	48V	12W	OSRAM	Ra≥90	POLARIZED	3000K,4000K,More..

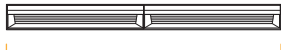
MAGNETIC WALL WASH LIGHT

线条偏光灯

■ BLACK □ WHITE



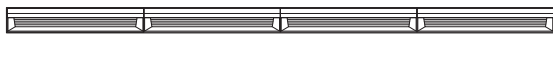
▶ 112mm
Model NO.: **FL26-6TP** System Power: **6W**



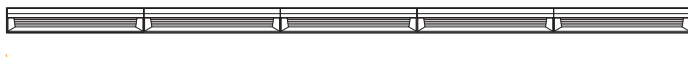
▶ 220mm
Model NO.: **FL26-12TP** System Power: **12W**



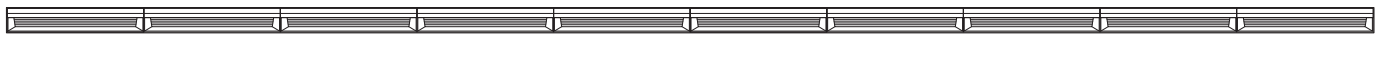
▶ 328mm
Model NO.: **FL26-18TP** System Power: **18W**



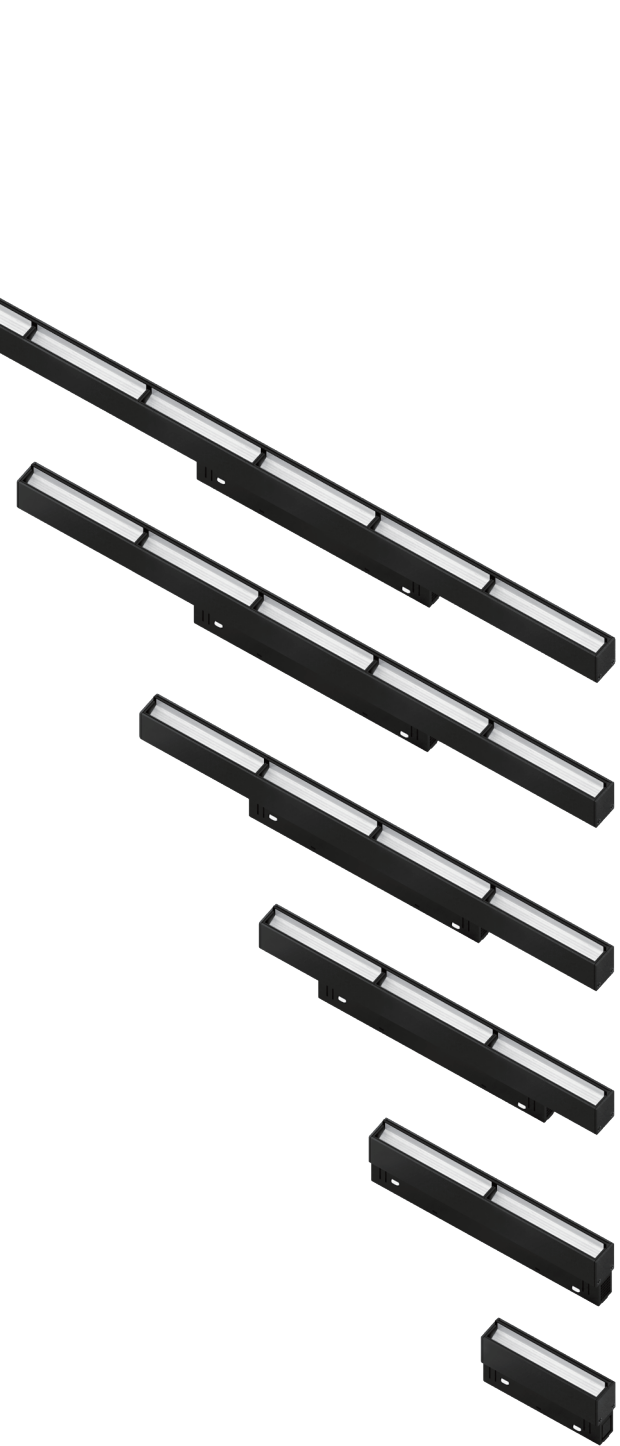
▶ 435mm
Model NO.: **FL26-24TP** System Power: **24W**



▶ 543mm
Model NO.: **FL26-30TP** System Power: **30W**



▶ 1080mm
Model NO.: **FL26-60TP** System Power: **45W**

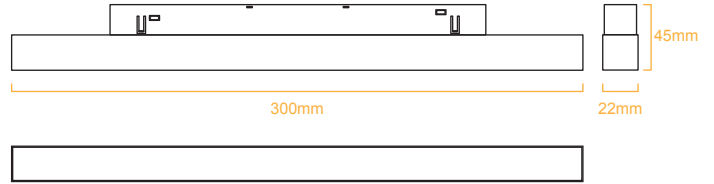


MAGNETIC FLOOD LIGHT

10W/20W/30W



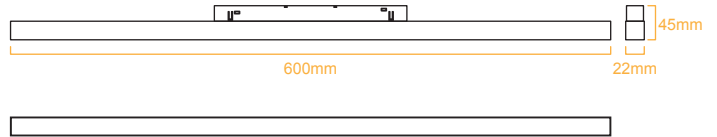
S20 MAGNETIC TRACK LAMP



线条泛光灯-10W

BLACK
 WHITE

Model NO.	Input	System Power	LED Power	CRI	Beam Angle	CCT
FL26-300F	48V	10W	OSRAM	Ra≥90	120°	3000K,4000K,More..



线条泛光灯-20W

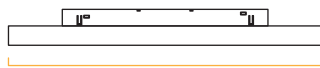
BLACK
 WHITE

Model NO.	Input	System Power	LED Power	CRI	Beam Angle	CCT
FL26-600F	48V	20W	OSRAM	Ra≥90	120°	3000K,4000K,More..

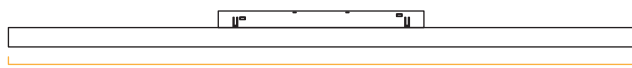
MAGNETIC FLOOD LIGHT

线条泛光灯

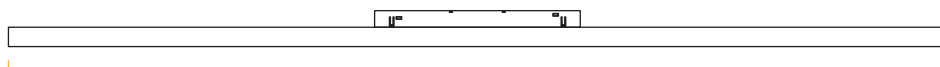
■ BLACK □ WHITE



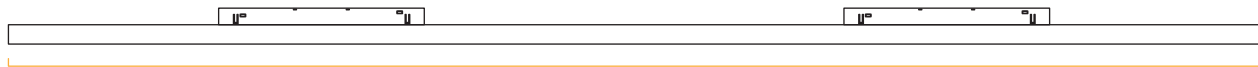
▶ 300mm
Model NO.: **FL26-300F** System Power: **10W**



▶ 600mm
Model NO.: **FL26-600F** System Power: **20W**

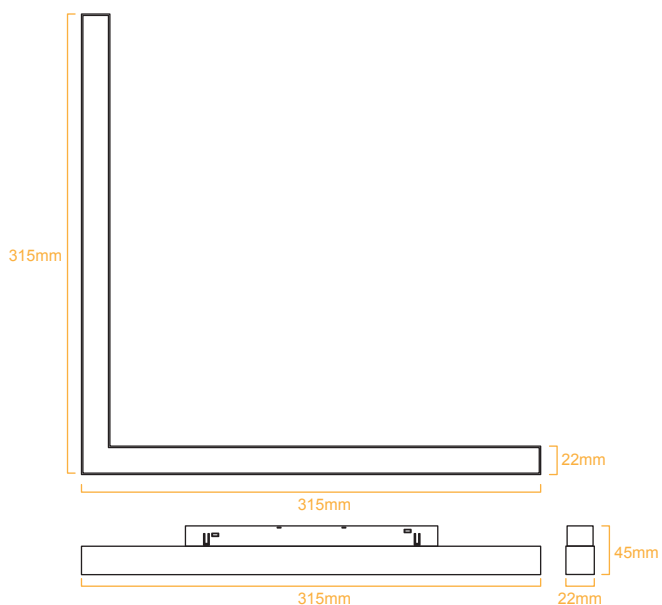


▶ 900mm
Model NO.: **FL26-900F** System Power: **30W**



▶ 1200mm
Model NO.: **FL26-1200F** System Power: **40W**

S20 MAGNETIC TRACK LAMP

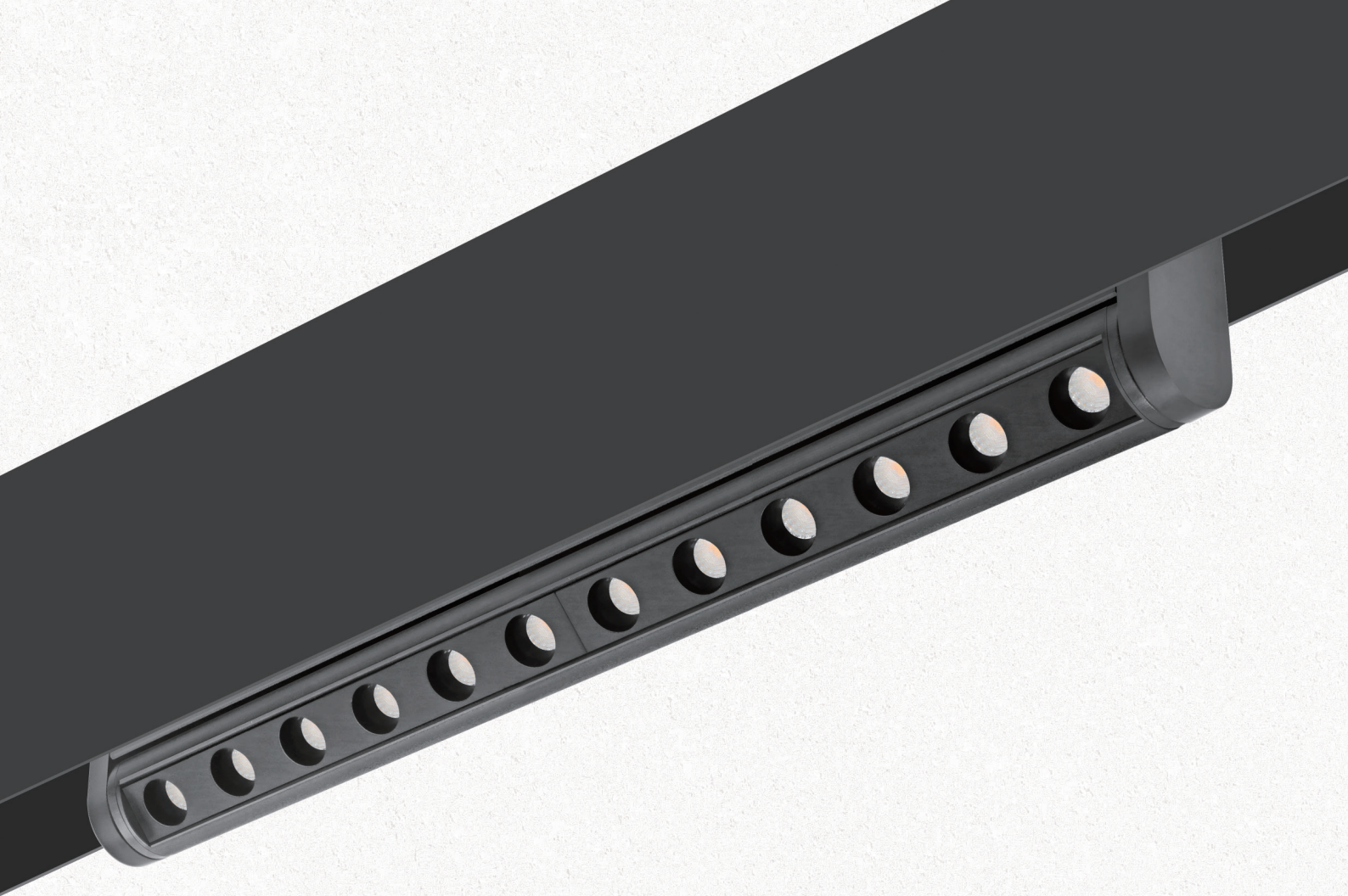


L型泛光灯-20W

BLACK
 WHITE

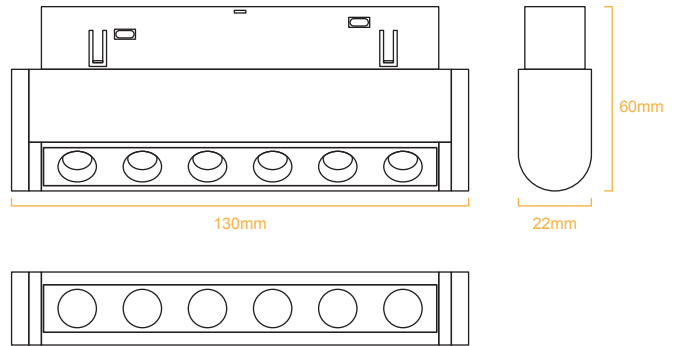
Model NO.	Input	System Power	LED Power	CRI	Beam Angle	CCT
FL26-L-300F	48V	20W	OSRAM	Ra≥90	120°	3000K,4000K,More..





MAGNETIC GRILLE LIGHT

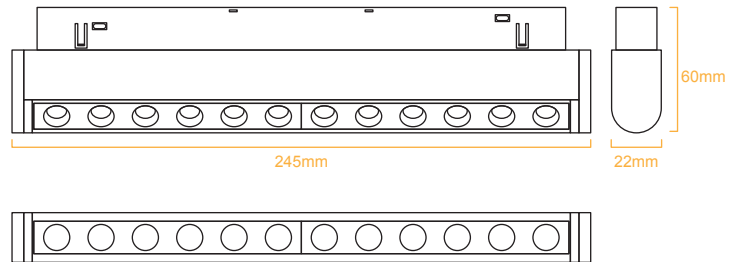




线条折叠格栅灯-6W

■ BLACK □ WHITE

Model NO.	Input -	System Power	LED Power	CRI -	Beam Angle	CCT -
FL26-6TX	48V	6W	OSRAM	Ra≥90	24°	3000K,4000K,More..



线条折叠格栅灯-12W

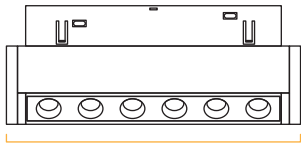
■ BLACK □ WHITE

Model NO.	Input -	System Power	LED Power	CRI -	Beam Angle	CCT -
FL26-12TX	48V	12W	OSRAM	Ra≥90	24°	3000K,4000K,More..

MAGNETIC GRILLE LIGHT

线条折叠格栅灯

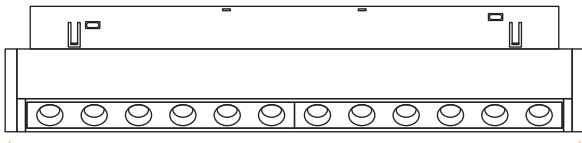
■ BLACK □ WHITE



▶ 130mm

Model NO.: **FL26-6TX**

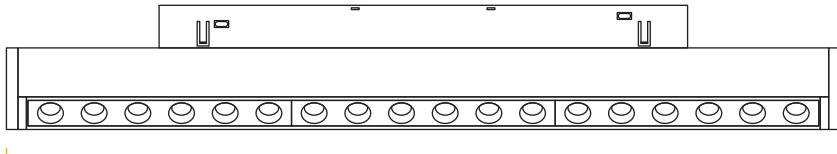
System Power: **6W**



▶ 245mm

Model NO.: **FL26-12TX**

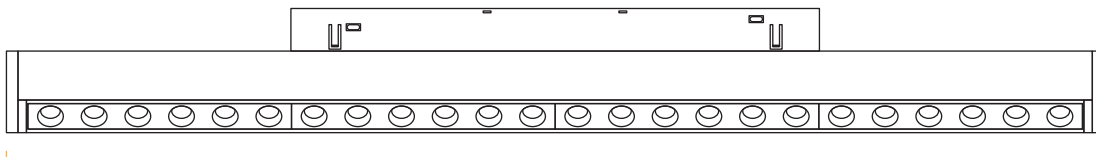
System Power: **12W**



▶ 360mm

Model NO.: **FL26-18TX**

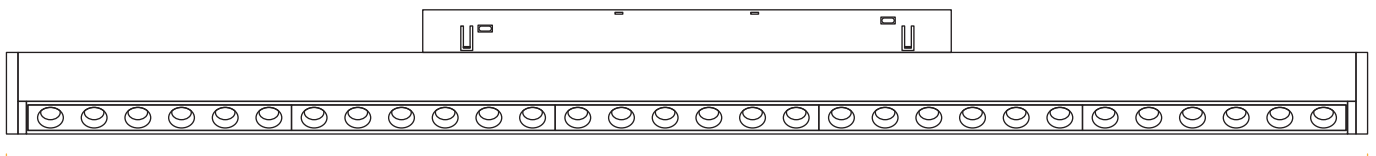
System Power: **18W**



▶ 475mm

Model NO.: **FL26-24TX**

System Power: **24W**



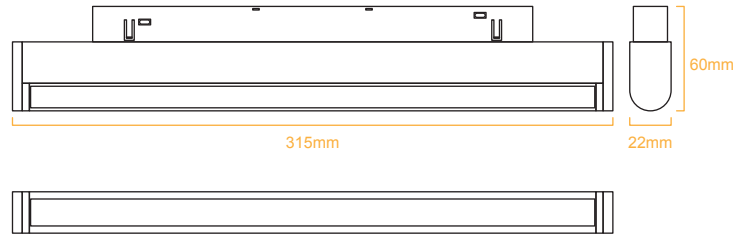
▶ 585mm

Model NO.: **FL26-30TX**

System Power: **30W**



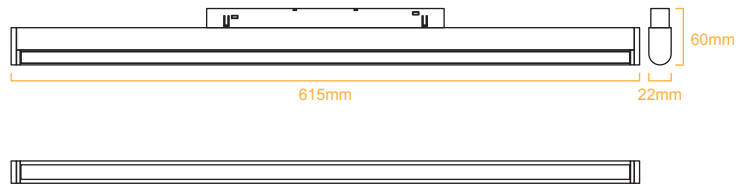
S20 MAGNETIC TRACK LAMP



线条折叠泛光灯-10W

BLACK
 WHITE

Model NO.	Input	System Power	LED Power	CRI	Beam Angle	CCT
FL26-300FX	48V	10W	OSRAM	Ra≥90	120°	3000K,4000K,More..



线条折叠泛光灯-20W

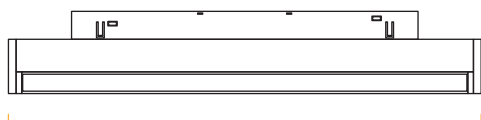
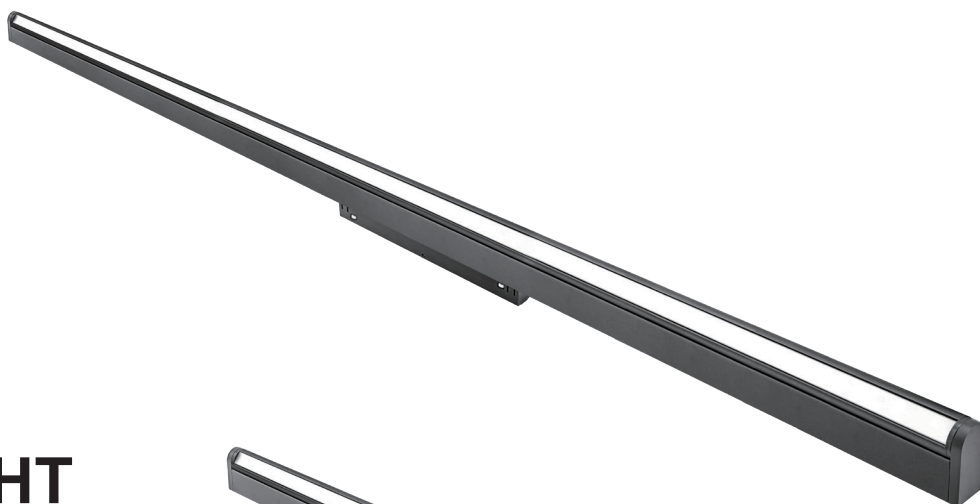
BLACK
 WHITE

Model NO.	Input	System Power	LED Power	CRI	Beam Angle	CCT
FL26-600FX	48V	20W	OSRAM	Ra≥90	120°	3000K,4000K,More..

MAGNETIC FLOOD LIGHT

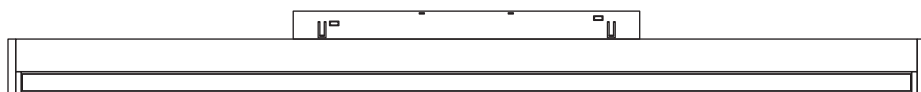
线条折叠泛光灯

■ BLACK □ WHITE



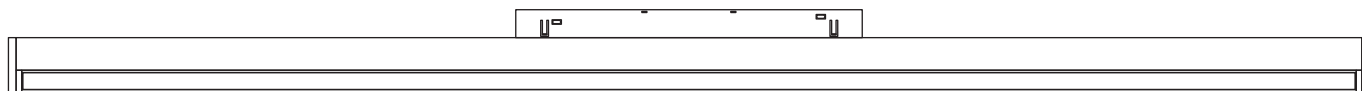
▶ 315mm

Model NO.: **FL26-300FX** System Power: **10W**



▶ 615mm

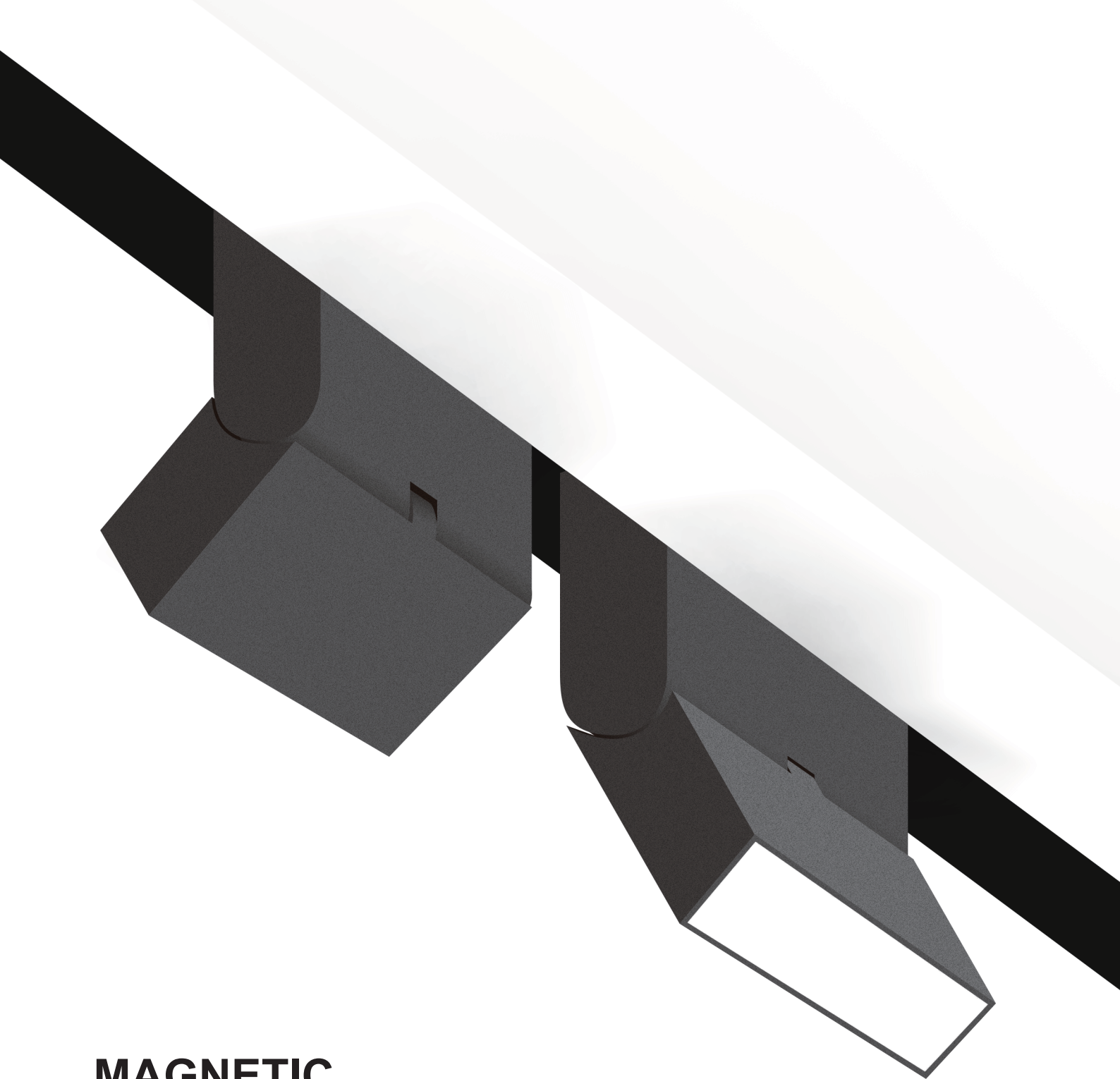
Model NO.: **FL26-600FX** System Power: **20W**



▶ 915mm

Model NO.: **FL26-900FX** System Power: **30W**





MAGNETIC FOLDING LIGHT

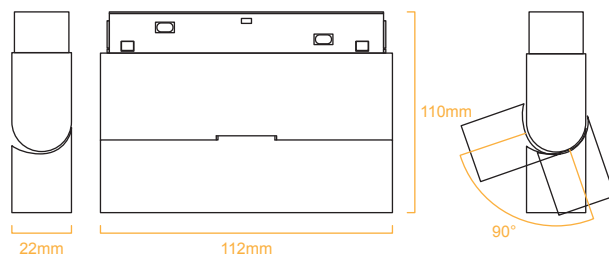


OSRAM
LAMP BEADS



120°
BEAM ANGLE

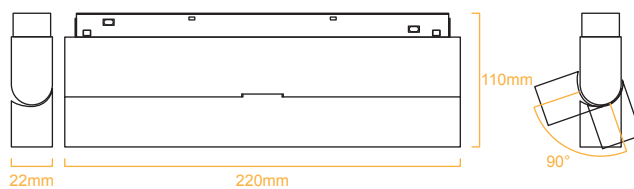
S20 MAGNETIC TRACK LAMP



折叠格栅灯-6W

BLACK
 WHITE

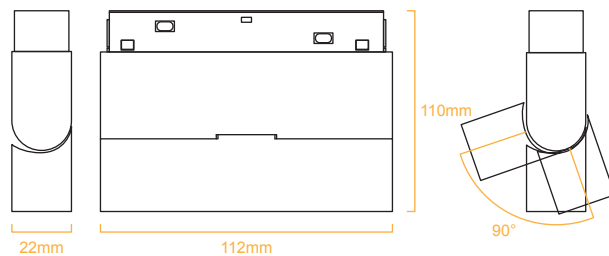
Model NO.	Input	System Power	LED Power	CRI	Beam Angle	CCT
FL-CX003-6T	48V	6W	OSRAM	Ra≥90	36°	3000K,4000K,More..



折叠格栅灯-12W

BLACK
 WHITE

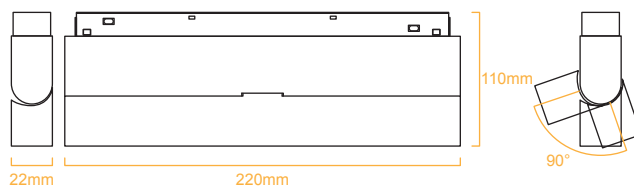
Model NO.	Input	System Power	LED Power	CRI	Beam Angle	CCT
FL-CX003-12T	48V	12W	OSRAM	Ra≥90	36°	3000K,4000K,More..



折叠泛光灯-6W

■ BLACK □ WHITE

Model NO.	Input	System Power	LED Power	CRI	Beam Angle	CCT
FL-CX003-6F	48V	6W	OSRAM	Ra≥90	120°	3000K,4000K,More..

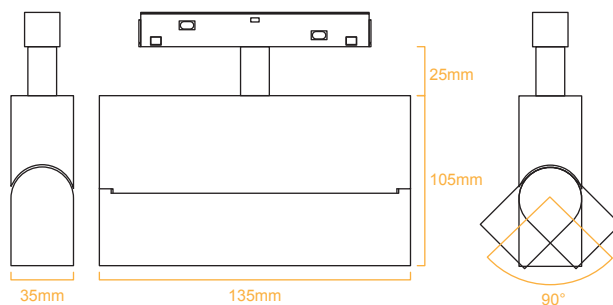


折叠泛光灯-12W

■ BLACK □ WHITE

Model NO.	Input	System Power	LED Power	CRI	Beam Angle	CCT
FL-CX003-12F	48V	12W	OSRAM	Ra≥90	120°	3000K,4000K,More..

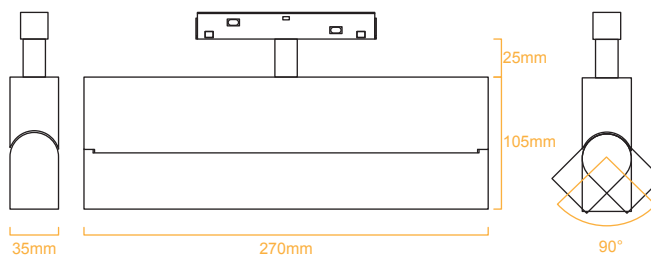
S20 MAGNETIC TRACK LAMP



带杆折叠格栅灯-12W

BLACK
 WHITE

Model NO.	Input -	System Power	LED Power	CRI -	Beam Angle	CCT -
FL-CX003-5T	48V	12W	OSRAM	Ra≥90	30°	3000K,4000K,More..

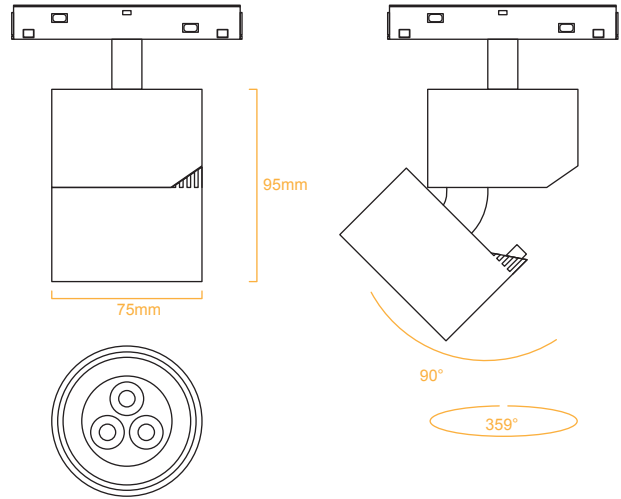


带杆折叠格栅灯-24W

BLACK
 WHITE

Model NO.	Input -	System Power	LED Power	CRI -	Beam Angle	CCT -
FL-CX003-10T	48V	24W	OSRAM	Ra≥90	30°	3000K,4000K,More..

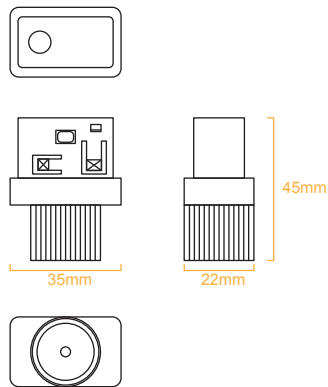
S20 MAGNETIC TRACK LAMP



折叠灯-3珠射灯

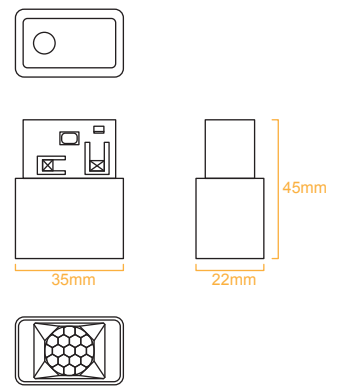
BLACK
 WHITE

Model NO.	Input -	System Power	LED Power	CRI -	Beam Angle	CCT -
FL-CXM75	48V	9W	OSRAM	Ra≥90	24°	3000K,4000K,More..



射灯-圆筒

BLACK
 WHITE



射灯-蜂巢

Model NO.	Input -	System Power	LED Power	CRI -	Beam Angle	CCT -
FL26-HX01 / FL26-HX02	48V	3W	OSRAM	Ra≥90	24°	3000K,4000K,More..





MAGNETIC SPOT LIGHT



Bridgelux
LAMP BEADS



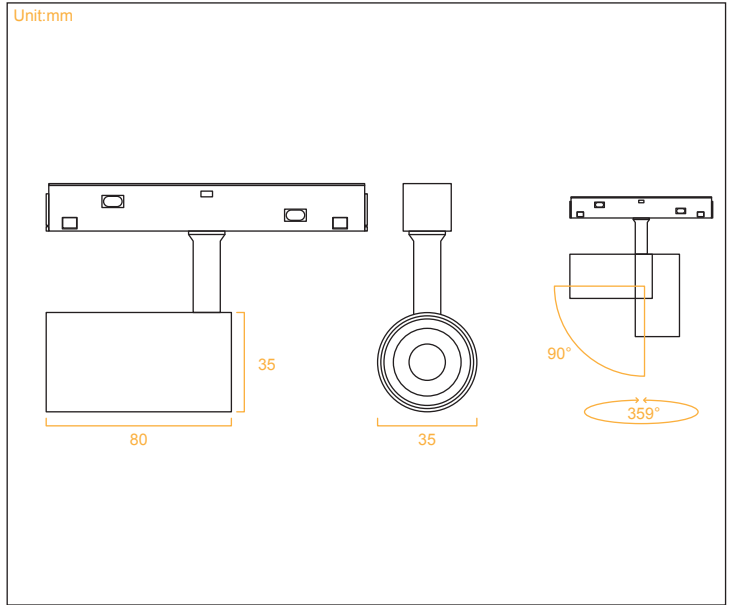
24°
BEAM ANGLE

S20 MAGNETIC TRACK LAMP



轨道射灯-35口径

■ BLACK □ WHITE

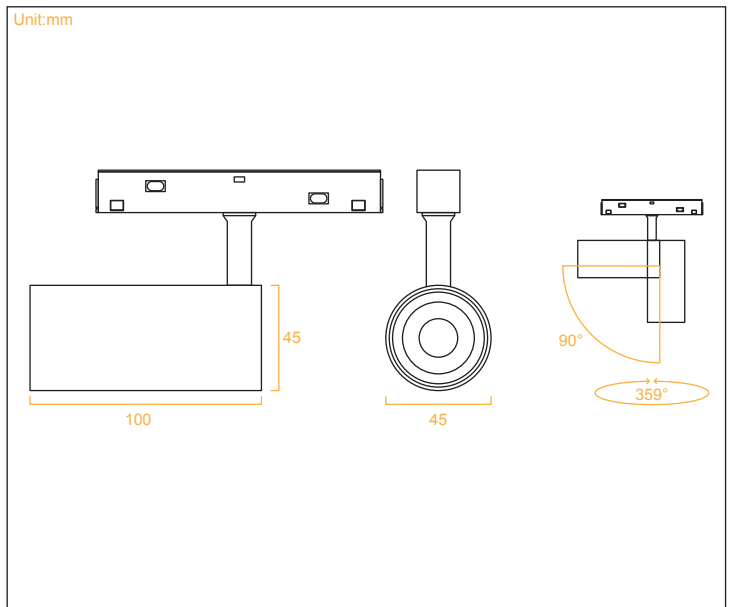


Model NO.	Input -	System Power	LED Power	CRI -	Beam Angle	CCT -
FL-CX035	48V	7W	Bridgelux	Ra≥90	24°	3000K,4000K,More..



轨道射灯-45口径

■ BLACK □ WHITE



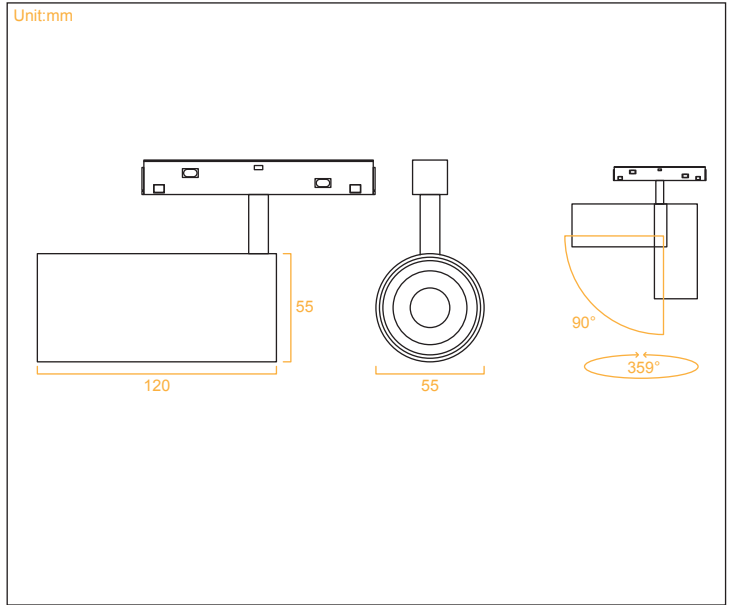
Model NO.	Input -	System Power	LED Power	CRI -	Beam Angle	CCT -
FL-CX045	48V	12W	Bridgelux	Ra≥90	24°	3000K,4000K,More..

S20 MAGNETIC TRACK LAMP



轨道射灯-55口径

BLACK
 WHITE

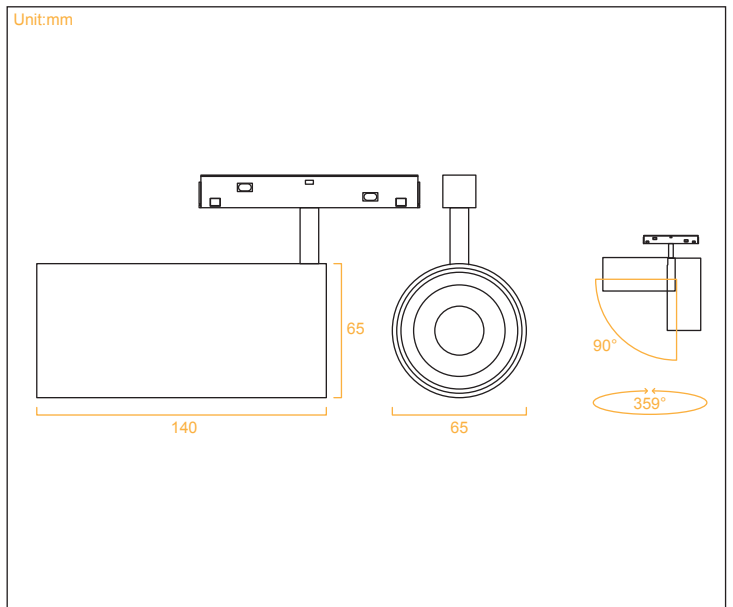


Model NO.	Input	System Power	LED Power	CRI	Beam Angle	CCT
FL-CX055	48V	18W	Bridgelux	Ra≥90	24°	3000K,4000K,More..



轨道射灯-65口径

BLACK
 WHITE



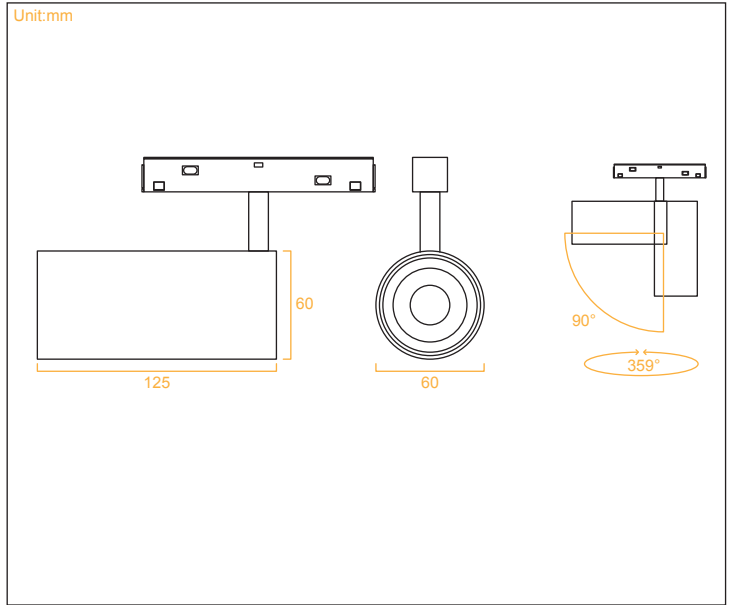
Model NO.	Input	System Power	LED Power	CRI	Beam Angle	CCT
FL-CX065	48V	24W	Bridgelux	Ra≥90	24°	3000K,4000K,More..

S20 MAGNETIC TRACK LAMP



轨道射灯-60口径

■ BLACK □ WHITE

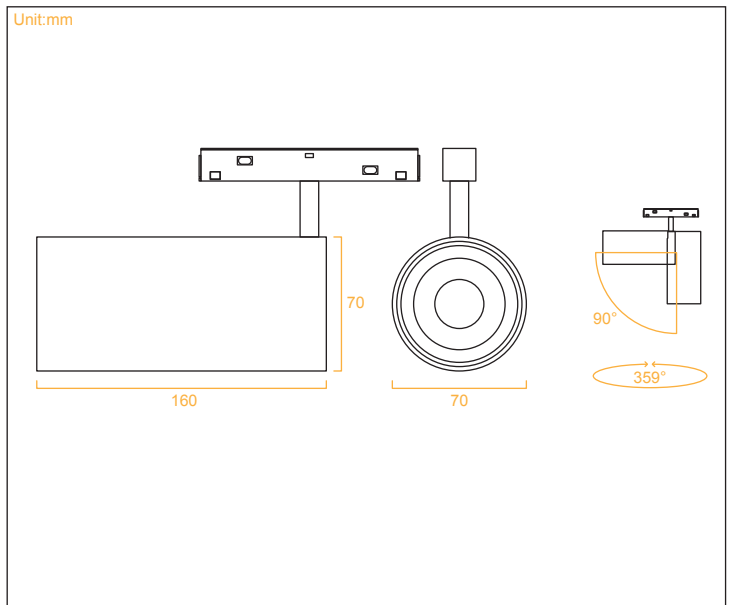


Model NO.	Input -	System Power	LED Power	CRI -	Beam Angle	CCT -
FL-CX060	48V	18W	Bridgelux	Ra≥90	24°	3000K,4000K,More..



轨道射灯-70口径

■ BLACK □ WHITE



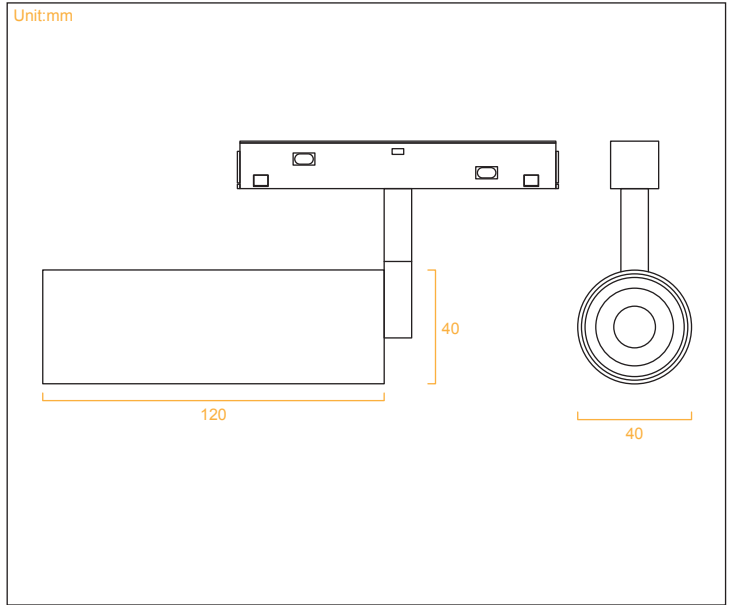
Model NO.	Input -	System Power	LED Power	CRI -	Beam Angle	CCT -
FL-CX070	48V	24W	Bridgelux	Ra≥90	24°	3000K,4000K,More..

S20 MAGNETIC TRACK LAMP



轨道射灯-40口径

■ BLACK □ WHITE

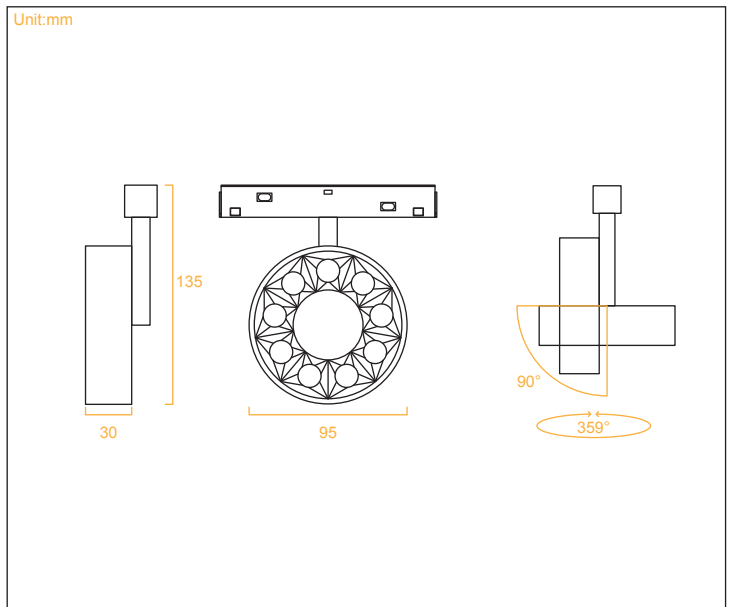


Model NO.	Input	System Power	LED Power	CRI	Beam Angle	CCT
FL-CX040	48V	7W	Bridgelux	Ra≥90	24°	3000K,4000K,More..



轨道格栅灯

■ BLACK □ WHITE



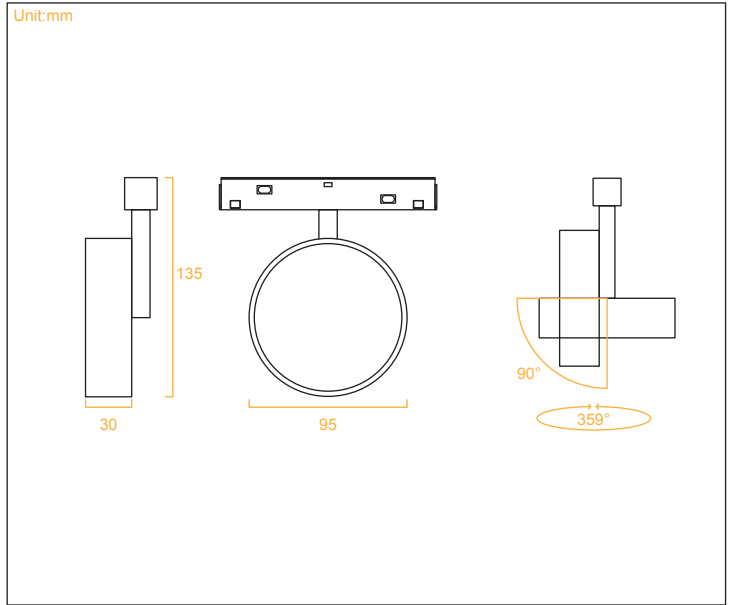
Model NO.	Input	System Power	LED Power	CRI	Beam Angle	CCT
FL-CXG90	48V	9W	OSRAM	Ra≥90	24°	3000K,4000K,More..

S20 MAGNETIC TRACK LAMP



轨道补光灯

■ BLACK □ WHITE

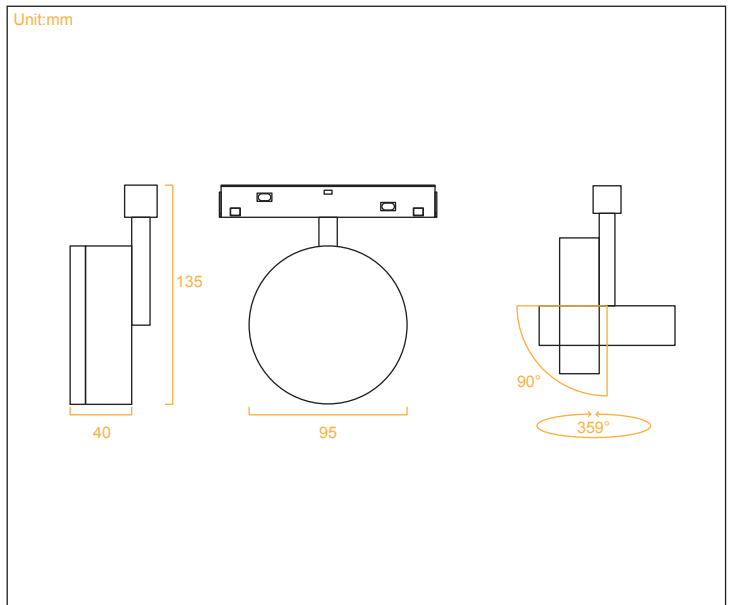


Model NO.	Input	System Power	LED Power	CRI	Beam Angle	CCT
FL-CXB90	48V	9W	OSRAM	Ra≥90	120°	3000K,4000K,More..



轨道补光灯-PLUS

■ BLACK □ WHITE

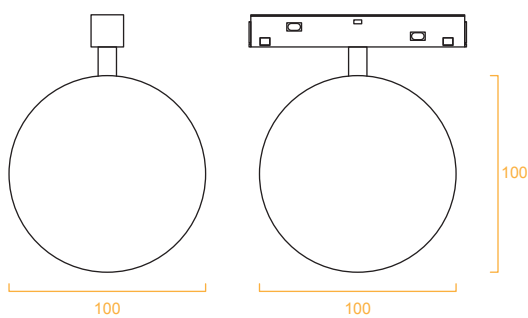


Model NO.	Input	System Power	LED Power	CRI	Beam Angle	CCT
FL-CXZ90	48V	9W	OSRAM	Ra≥90	120°	3000K,4000K,More..

S20 MAGNETIC TRACK LAMP



Unit:mm



半月泛光灯

■ BLACK □ WHITE

Model NO.	Input	System Power	LED Power	CRI	Beam Angle	CCT
FL-CX100F	48V	7W	OSRAM	Ra≥90	180°	3000K,4000K,More..





MAGNETIC SPOT LIGHT

 **Bridgelux**
LAMP BEADS

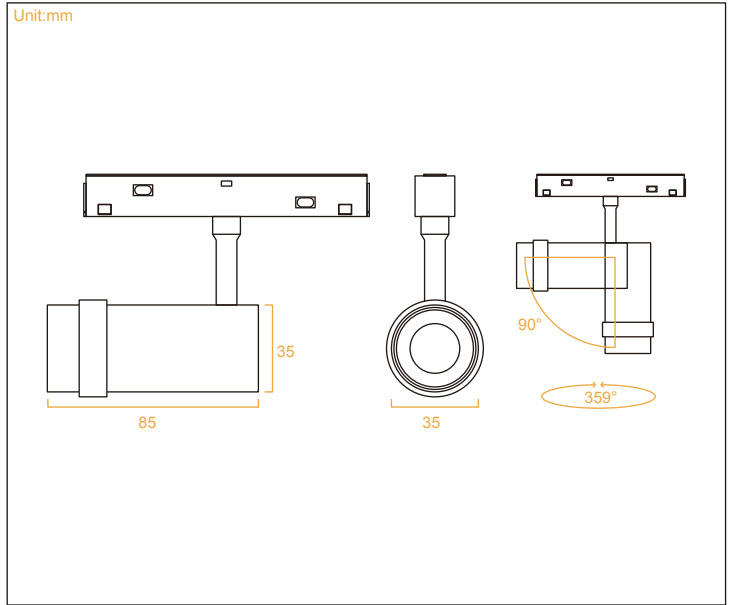
 **15°-55°**
BEAM ANGLE

S20 MAGNETIC TRACK LAMP



调焦 轨道灯-35口径

■ BLACK □ WHITE

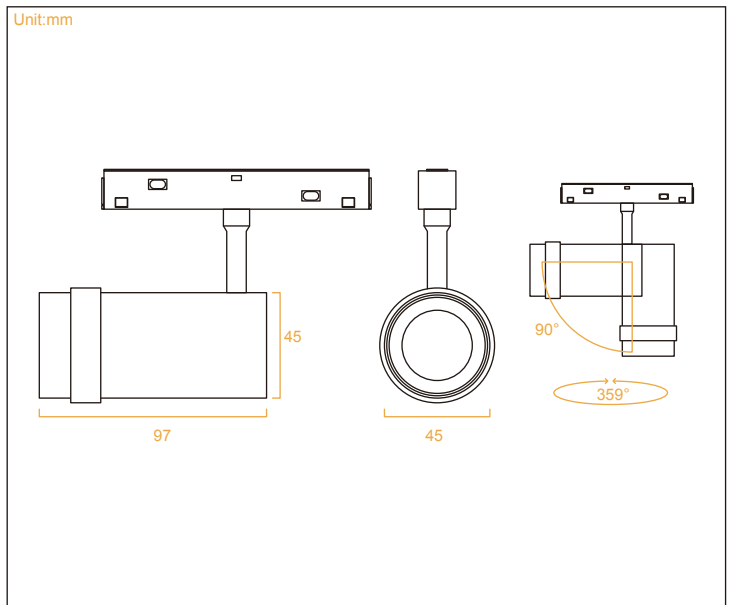


Model NO.	Input -	System Power	LED Power	CRI -	Beam Angle	CCT -
FL-CXT035	48V	7W	Bridgelux	Ra≥90	15°-50°	3000K,4000K,More..



调焦 轨道灯-45口径

■ BLACK □ WHITE



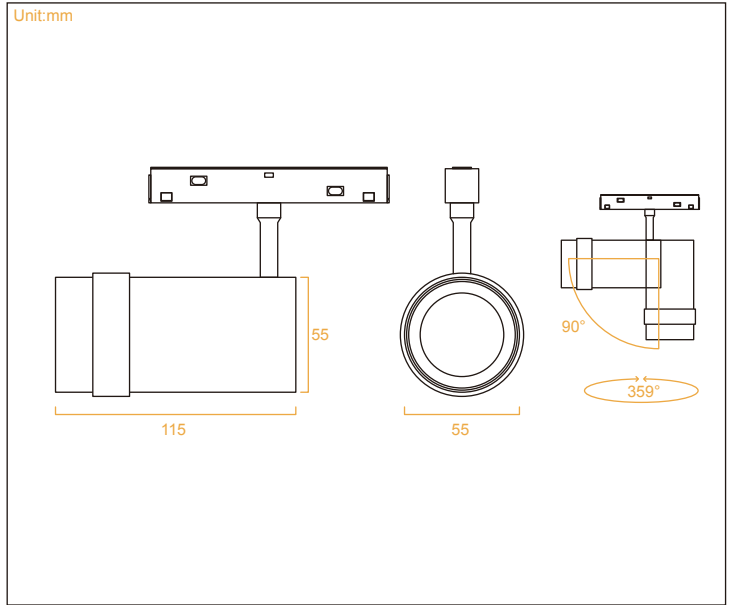
Model NO.	Input -	System Power	LED Power	CRI -	Beam Angle	CCT -
FL-CXT045	48V	12W	Bridgelux	Ra≥90	15°-50°	3000K,4000K,More..

S20 MAGNETIC TRACK LAMP



调焦 轨道灯-55口径

■ BLACK □ WHITE

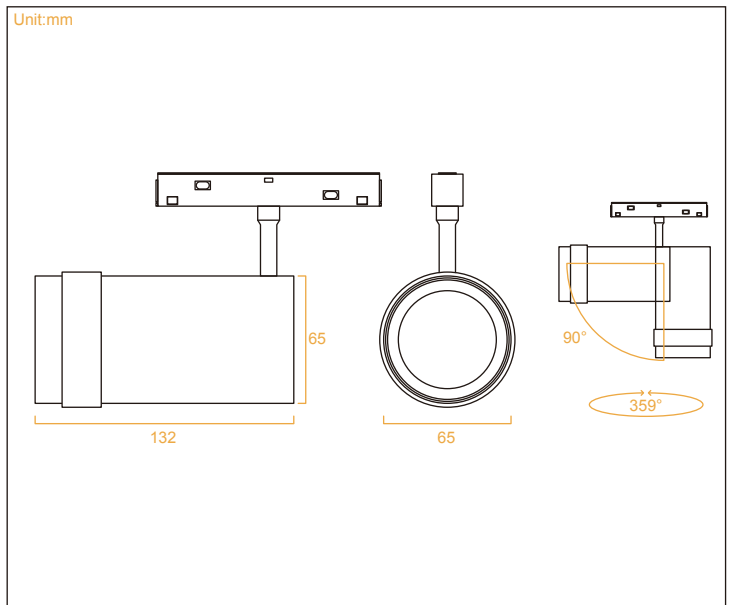


Model NO.	Input	System Power	LED Power	CRI	Beam Angle	CCT
FL-CXT055	48V	18W	Bridgelux	Ra≥90	15°-55°	3000K,4000K,More..



调焦 轨道灯-65口径

■ BLACK □ WHITE



Model NO.	Input	System Power	LED Power	CRI	Beam Angle	CCT
FL-CXT065	48V	24W	Bridgelux	Ra≥90	15°-55°	3000K,4000K,More..





MAGNETIC SUSPENSION LIGHT



Bridgelux
LAMP BEADS



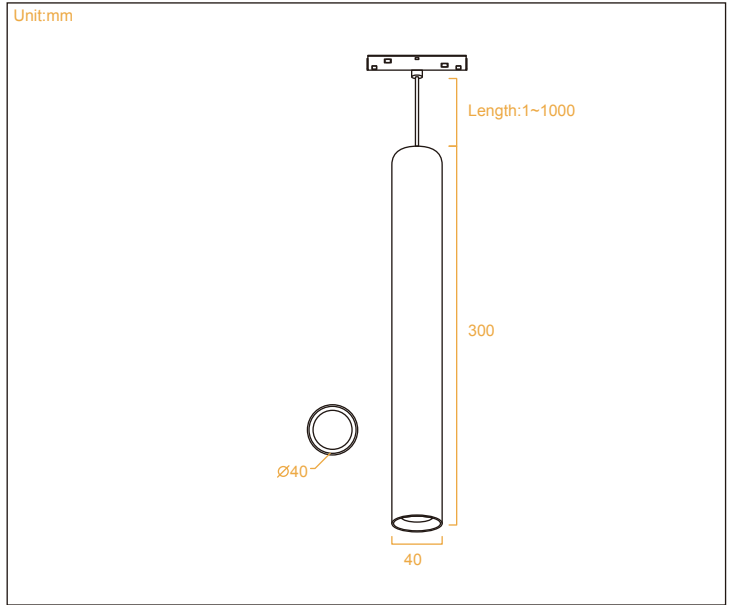
24°
BEAM ANGLE

S20 MAGNETIC TRACK LAMP



直筒吊灯

■ BLACK □ WHITE

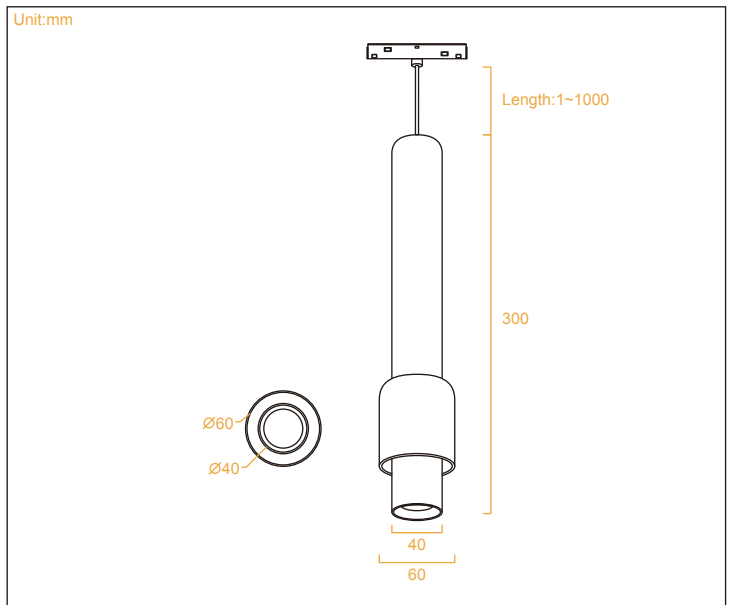


Model NO.	Input	System Power	LED Power	CRI	Beam Angle	CCT
FL-CXD300	48V	12W	Bridgelux	Ra≥90	24°	3000K,4000K,More..



艺术吊灯-手雷

■ BLACK □ WHITE



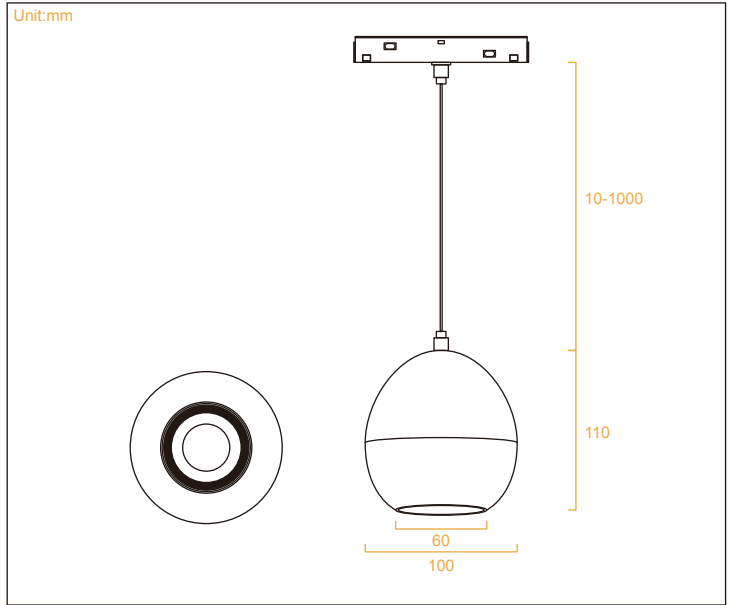
Model NO.	Input	System Power	LED Power	CRI	Beam Angle	CCT
FL-CXDSL300	48V	12W	Bridgelux	Ra≥90	24°	3000K,4000K,More..

S20 MAGNETIC TRACK LAMP



圓形吊燈

■ BLACK □ WHITE

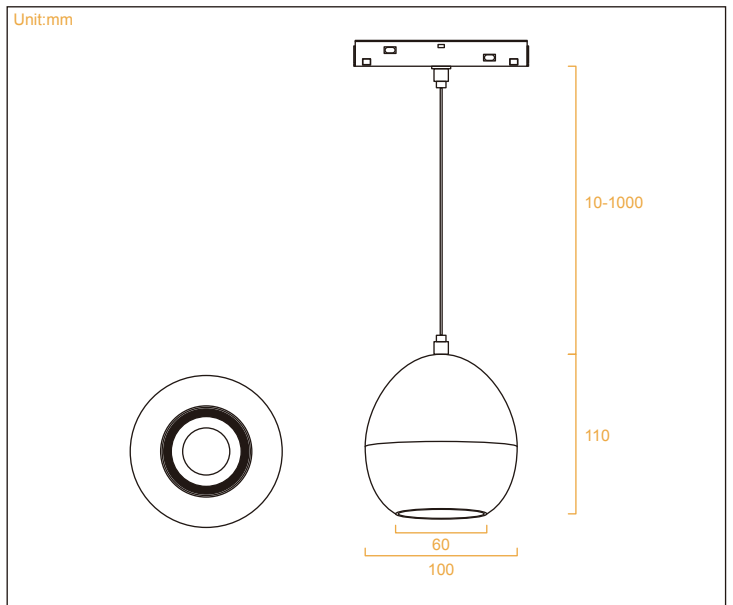


Model NO.	Input	System Power	LED Power	CRI	Beam Angle	CCT
FL-CXDY100	48V	12W	Bridgelux	Ra≥90	24°	3000K,4000K,More..



圓形調焦吊燈

■ BLACK □ WHITE



Model NO.	Input	System Power	LED Power	CRI	Beam Angle	CCT
FL-CXDYT100	48V	12W	Bridgelux	Ra≥90	10°- 55°	3000K,4000K,More..

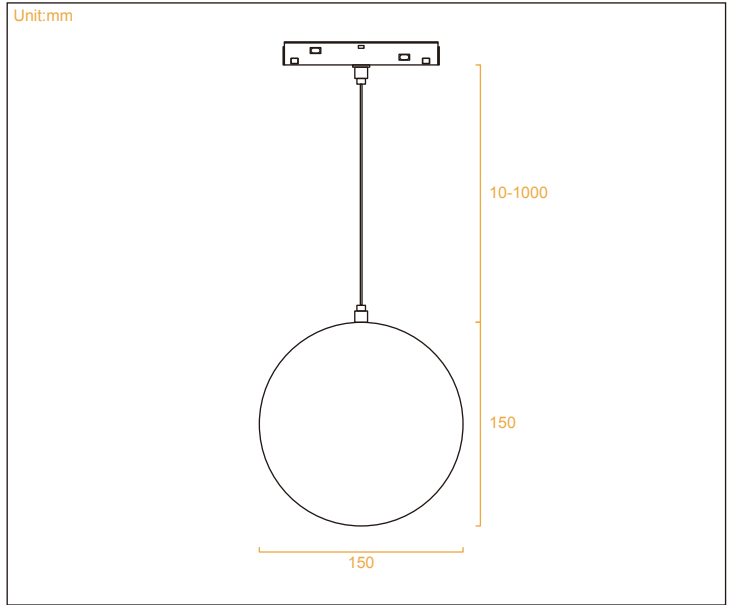


S20 MAGNETIC TRACK LAMP



地球吊灯

■ BLACK □ WHITE

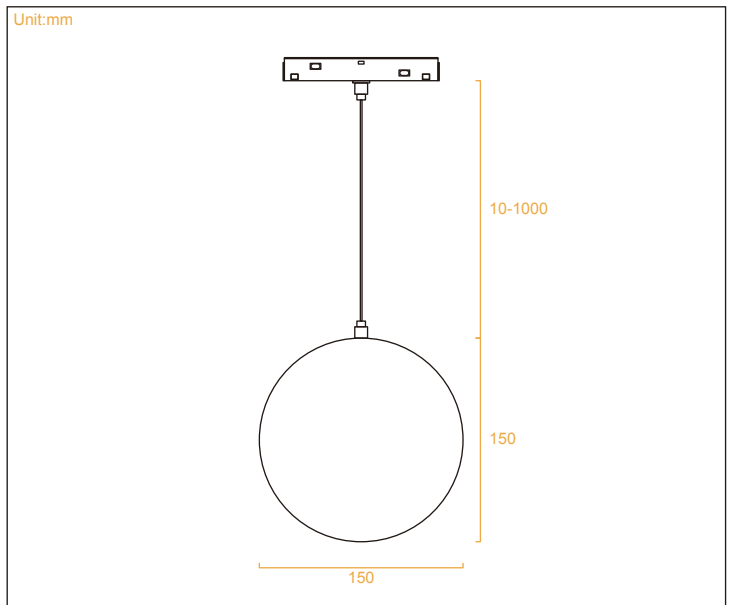


Model NO.	Input	System Power	LED Power	CRI	Beam Angle	CCT
FL-CXD150-DQ	48V	7W	OSRAM	Ra≥90	350°	3000K,4000K,More..



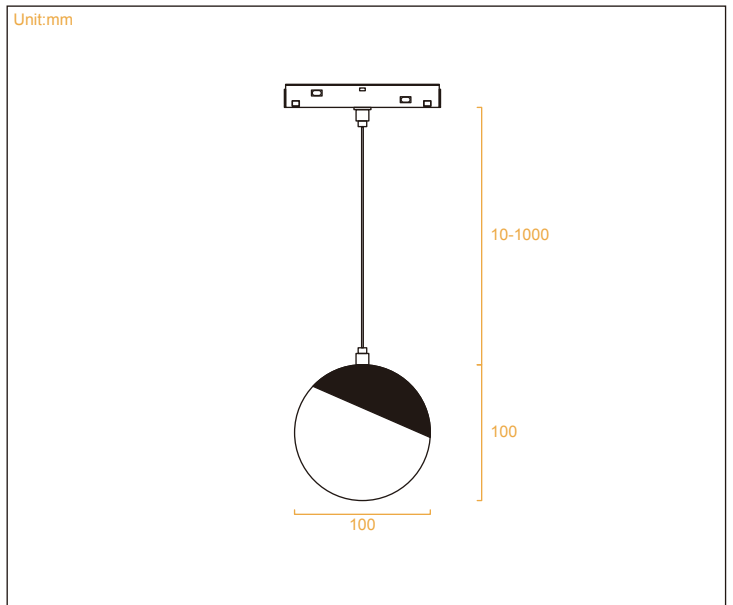
月球吊灯

■ BLACK □ WHITE



Model NO.	Input	System Power	LED Power	CRI	Beam Angle	CCT
FL-CXD150-YQ	48V	7W	OSRAM	Ra≥90	350°	3000K,4000K,More..

S20 MAGNETIC TRACK LAMP



半月泛光吊灯

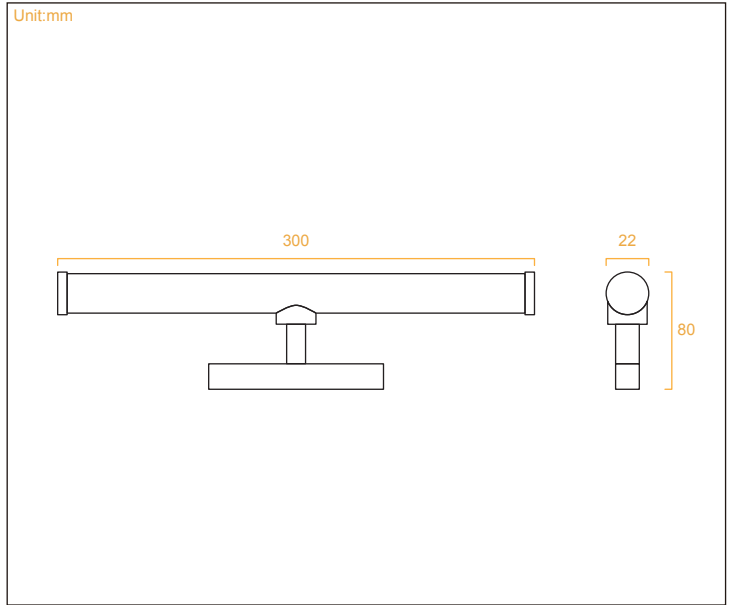
■ BLACK □ WHITE

Model NO.	Input	System Power	LED Power	CRI	Beam Angle	CCT
FL-CXD100F	48V	7W	OSRAM	Ra≥90	180°	3000K,4000K,More..



**MAGNETIC
LIGHT TUBE**

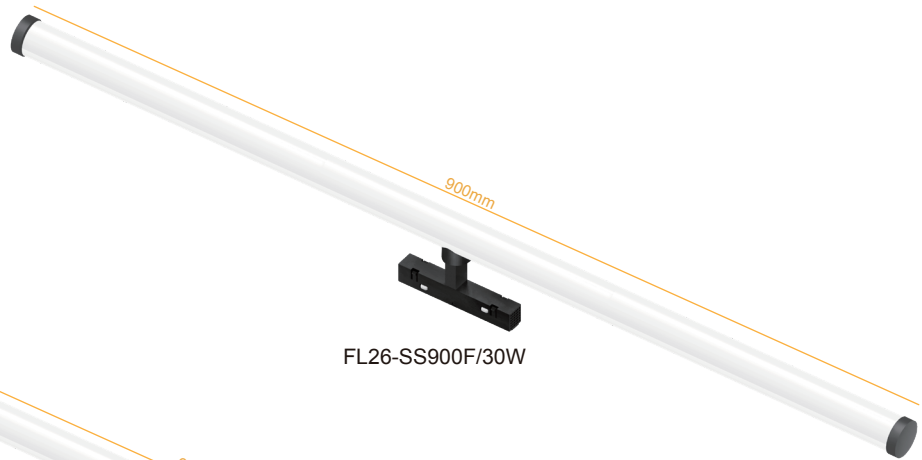
S20 MAGNETIC TRACK LAMP



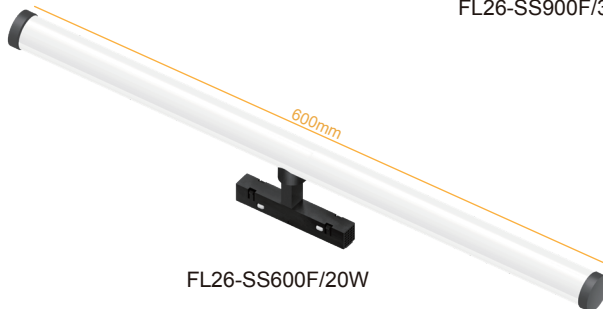
泛光管

■ BLACK □ WHITE

Model NO.	Input	System Power	LED Power	CRI	Beam Angle	CCT
FL26-SS300F	48V	10W	ORSAM	Ra≥90	180°	3000K,4000K,More..



FL26-SS900F/30W



FL26-SS600F/20W



FL26-SS300F/10W



**MAGNETIC
SOFT LIGHT TUBE**

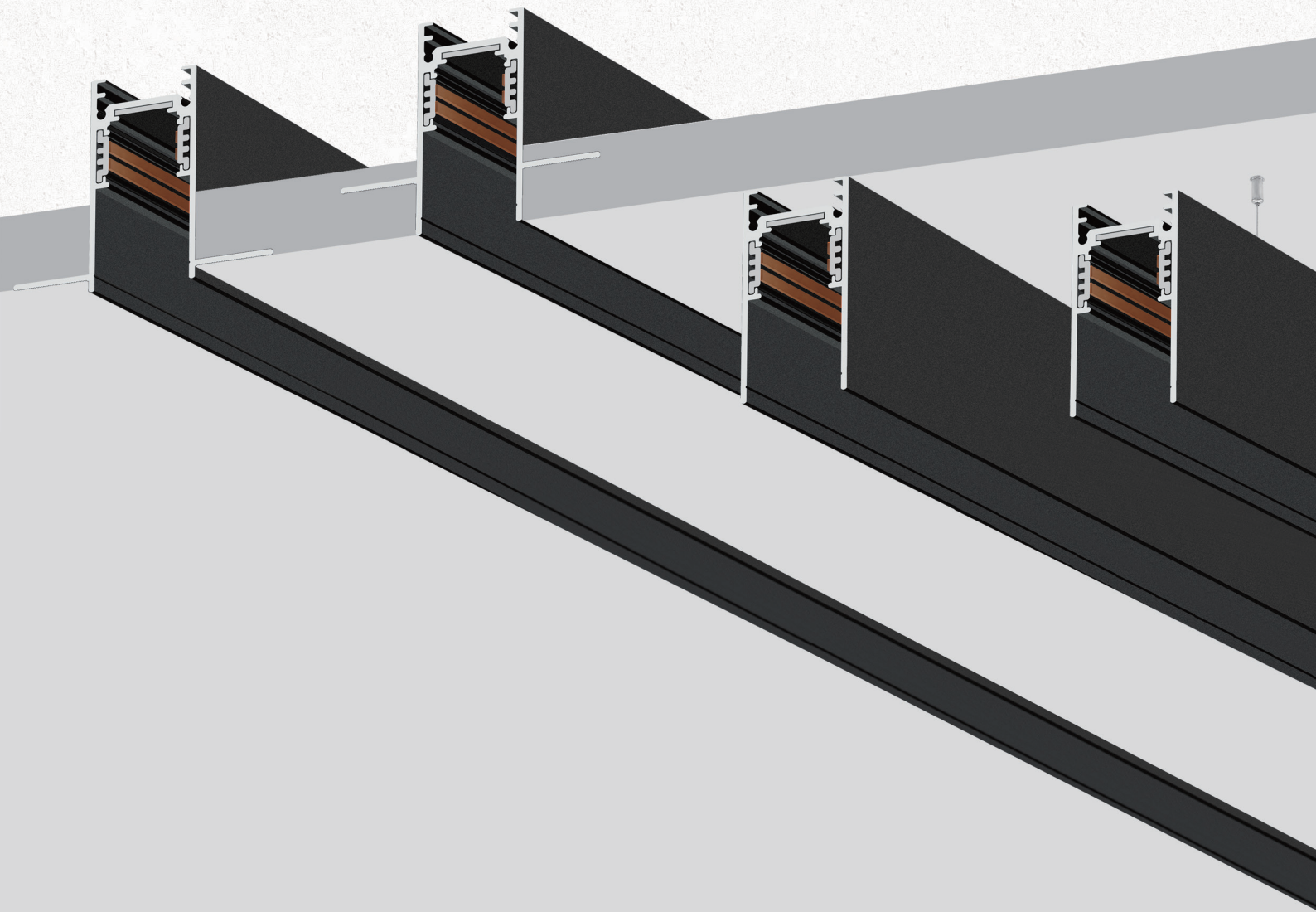
S20 MAGNETIC TRACK LAMP



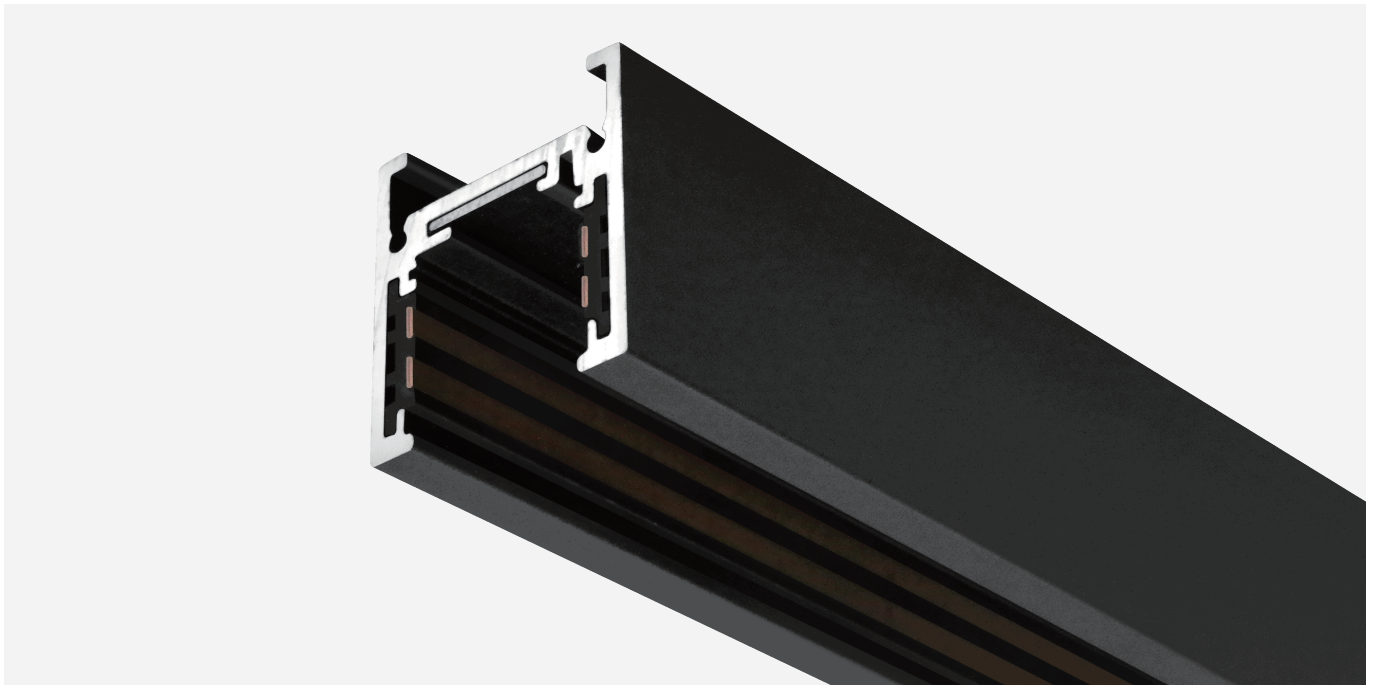
size: 500mm, 1000mm, 1500mm
2000mm, 3000mm

发光管

Model NO.	Input -	System Power	LED Power	CRI -	Beam Angle	CCT -
FL26-GJ500	48V	8W	TD	Ra≥90	360°	3000K,4000K,More..
FL26-GJ1000		16W				
FL26-GJ1500		24W				
FL26-GJ2000		32W				
FL26-GJ3000		48W				



MAGNETIC ORBIT
多样式磁吸轨道安装



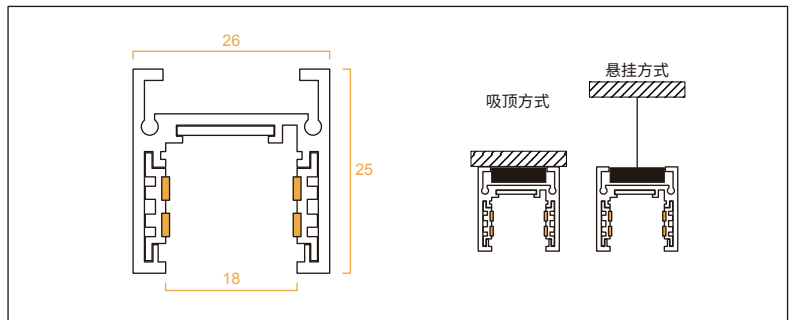
20 矮款-明装轨道

■ BLACK □ WHITE

安装方式: 无边框嵌入式/明装/吊装

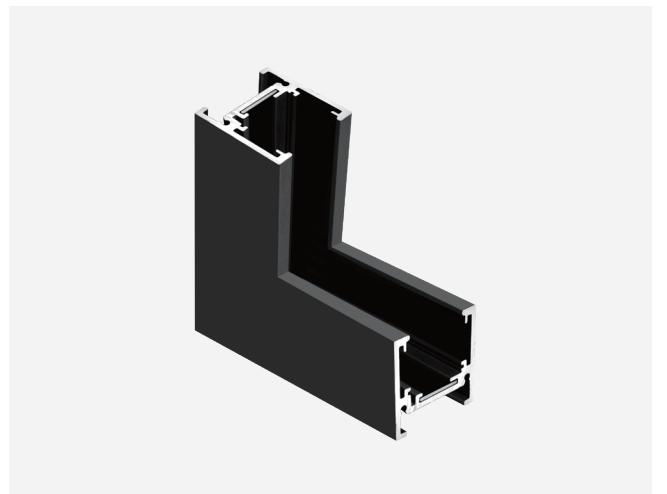
Model NO. FL-26A

Track Length 100cm, 150cm, 200cm, 300cm



矮款明装-水平转角

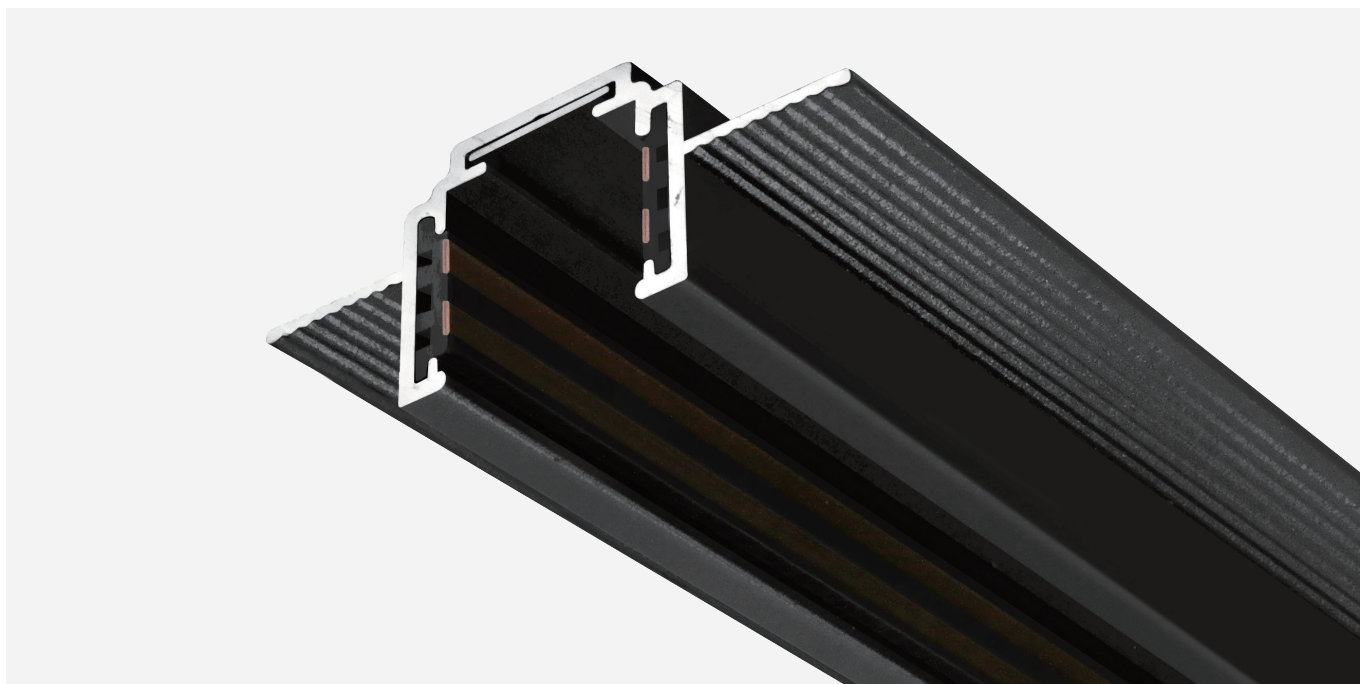
水平转角 90° 天花板转角使用



矮款明装-垂直转角

垂直转角 90° 天花板与侧墙转角使用

S20 MAGNETIC TRACK LAMP



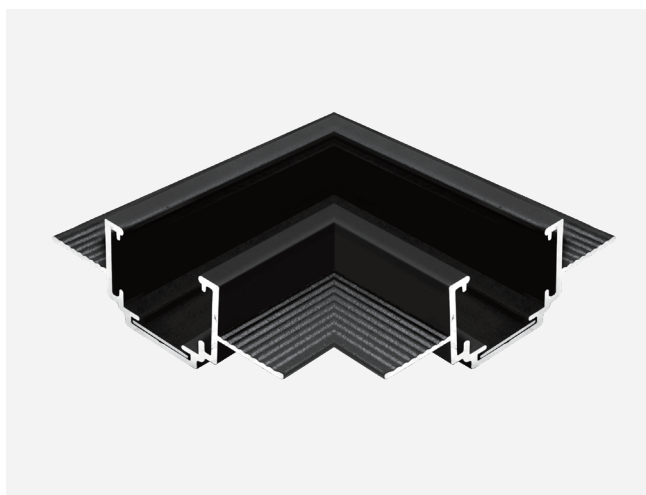
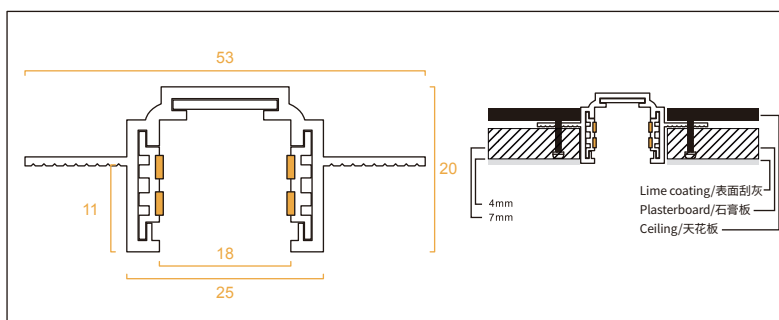
20 矮款-暗装轨道

■ BLACK □ WHITE

安装方式: 无边框嵌入式/明装/吊装

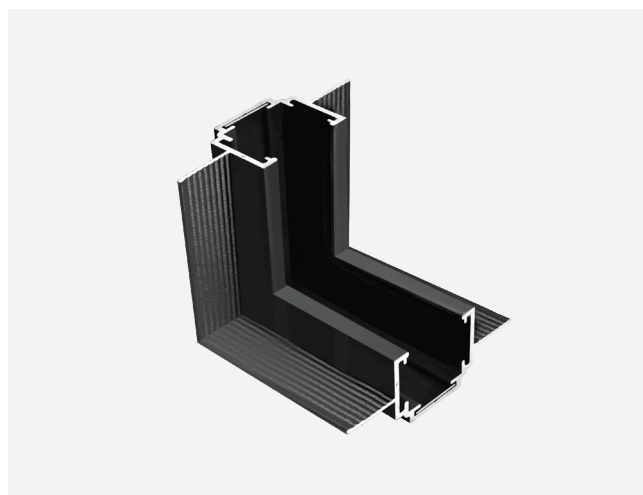
Model NO. FL-26B

Track Length 100cm, 150cm, 200cm, 300cm



矮款暗装-水平转角

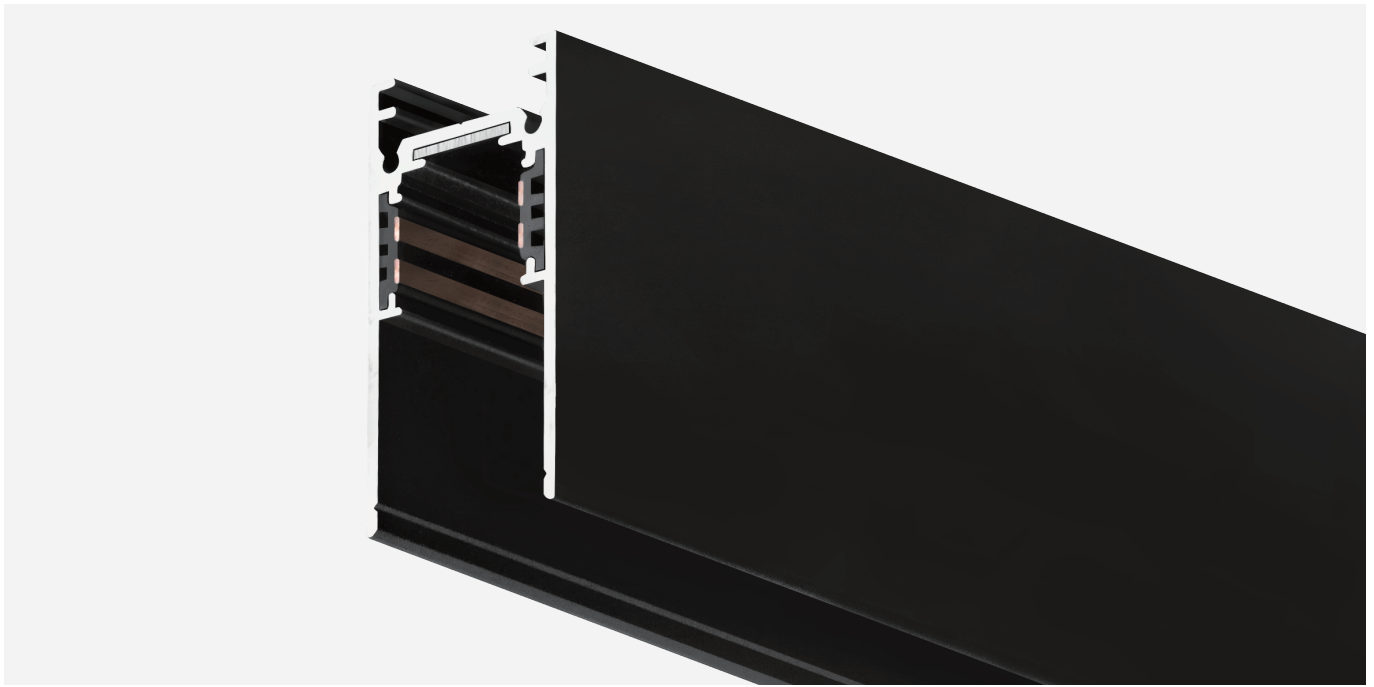
水平转角 90° 天花板转角使用



矮款暗装-垂直转角

垂直转角 90° 天花板与侧墙转角使用

S20 MAGNETIC TRACK LAMP



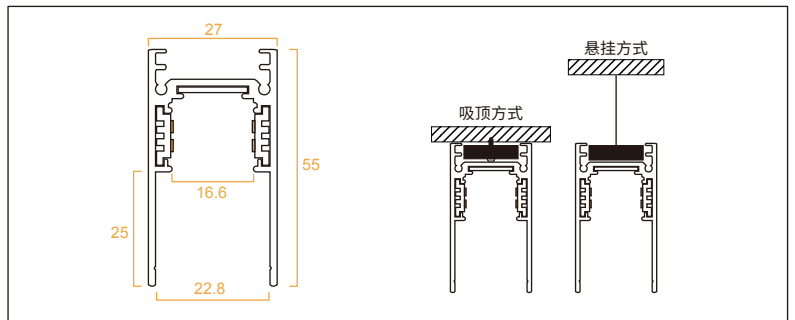
明装轨道

■ BLACK □ WHITE

安装方式: 无边框嵌入式/明装/吊装

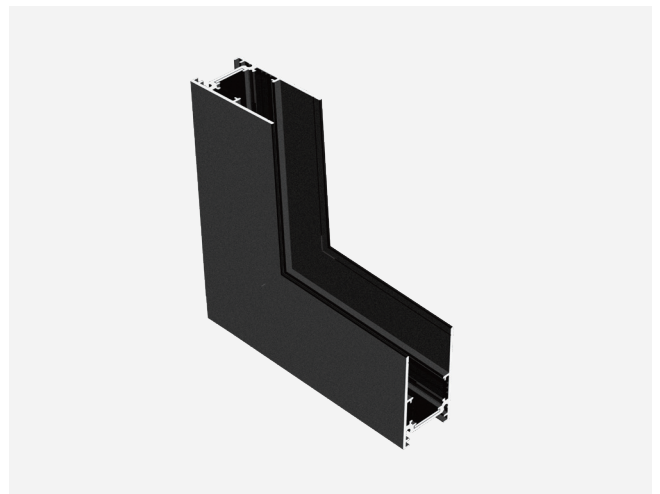
Model NO. FL-26C

Track Length 100cm, 150cm, 200cm, 300cm



明装-水平转角

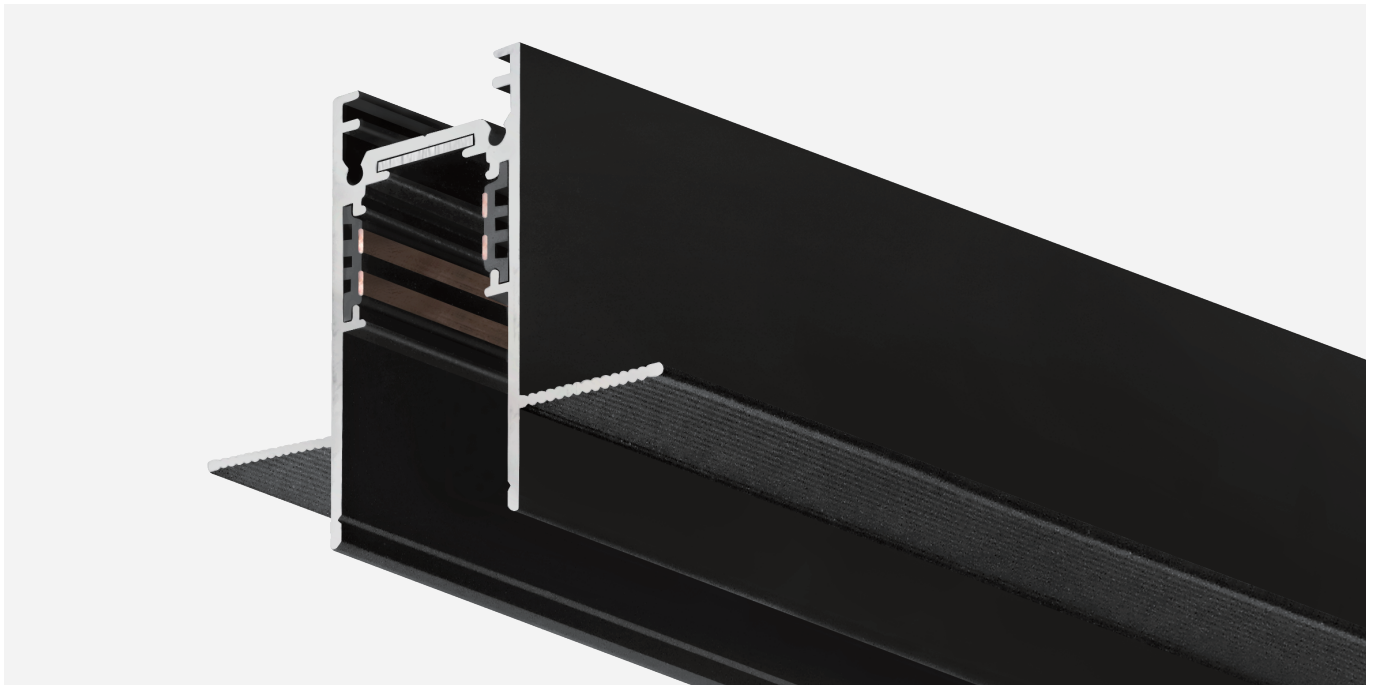
水平转角 90° 天花板转角使用



明装-垂直转角

垂直转角 90° 天花板与侧墙转角使用

S20 MAGNETIC TRACK LAMP



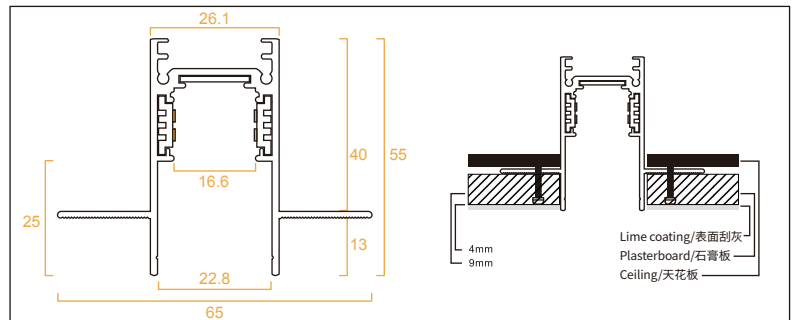
暗装轨道

■ BLACK □ WHITE

安装方式: 预埋嵌入式/暗装

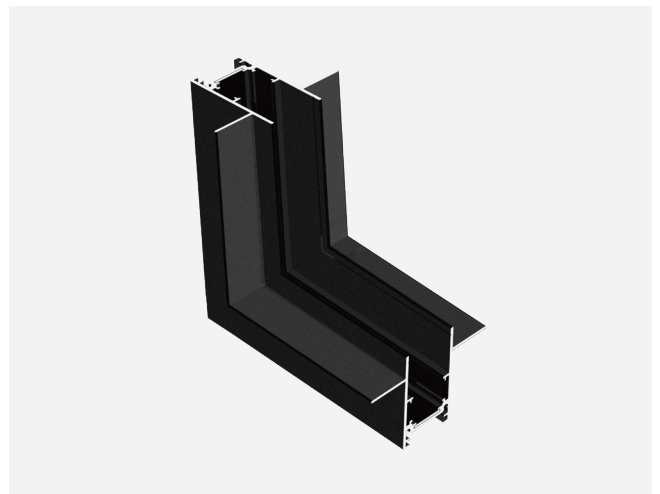
Model NO. FL-26D

Track Length 100cm, 150cm, 200cm, 300cm



暗装-水平转角

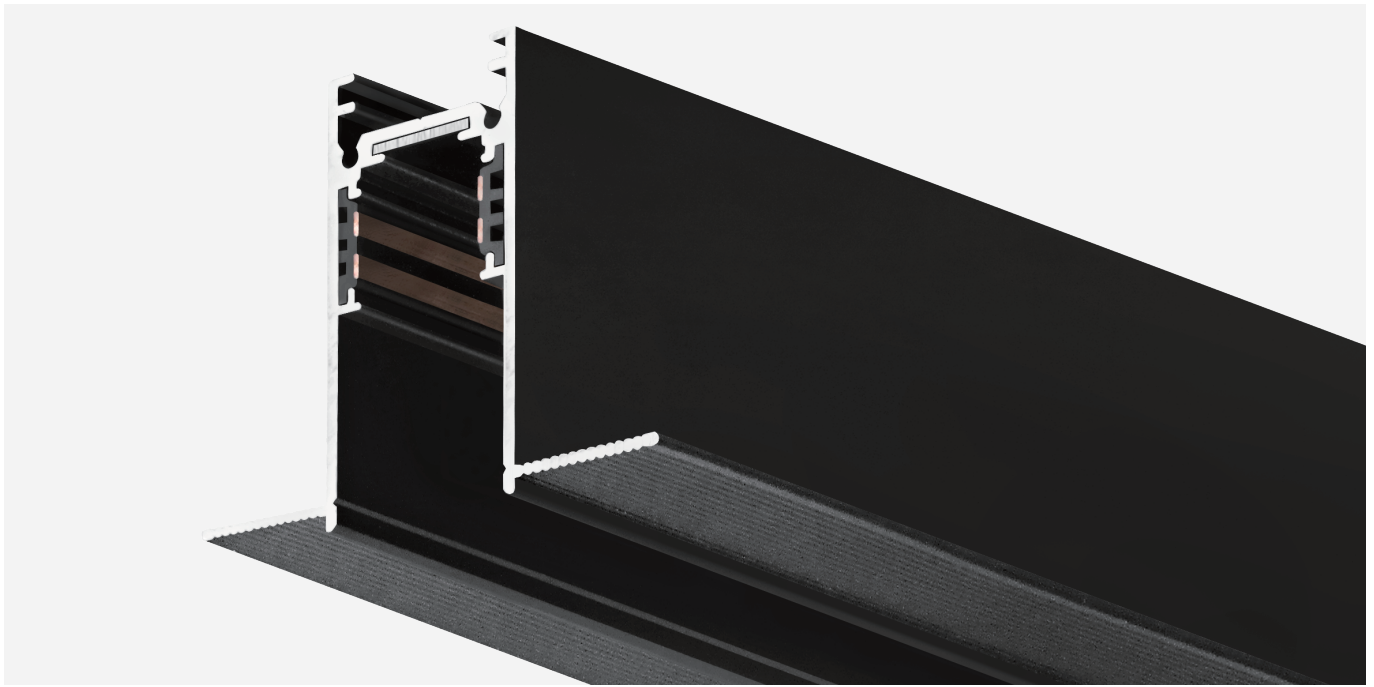
水平转角 90° 天花板转角使用



暗装-垂直转角

垂直转角 90° 天花板与侧墙转角使用

S20 MAGNETIC TRACK LAMP



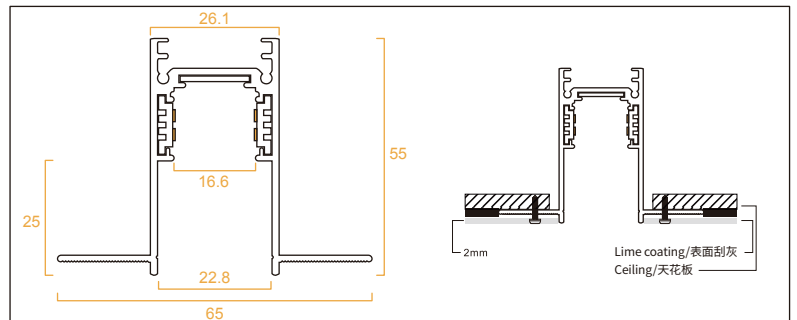
批灰轨道

■ BLACK □ WHITE

安装方式: 有边框嵌入式/批灰式

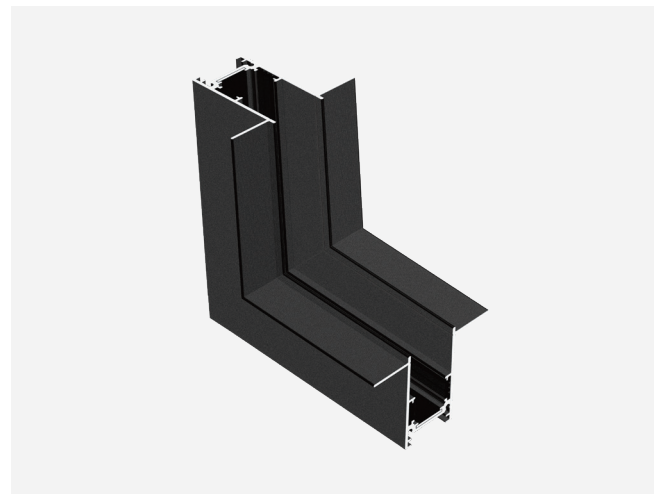
Model NO. FL-26E

Track Length 100cm, 150cm, 200cm, 300cm



批灰-水平转角

水平转角 90° 天花板转角使用



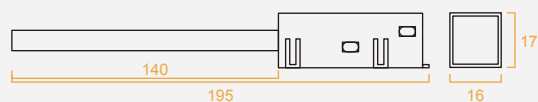
批灰-垂直转角

垂直转角 90° 天花板与侧墙转角使用



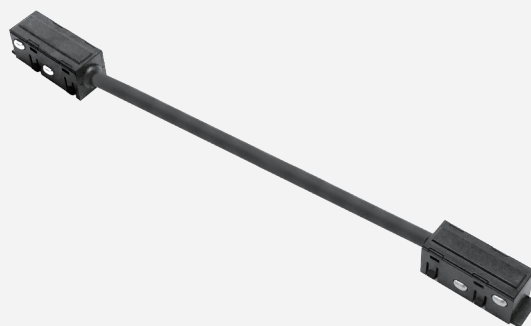
磁吸直接头

两条轨道之间的连接通电模块



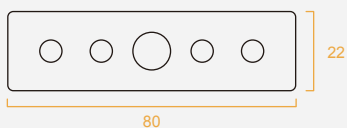
磁吸电源取电模块

外置变压器连接此模块线的一端，模块塑料端连接进轨道，使轨道形成低压48V



磁吸软接头

搭配90°转角使用，两条轨道之间的连接通电模块



轨道连接加固件

两条轨道之间的拼接加固, 使用于两条轨道的背部
通常明装轨道使用



轨道吊装吊线

明装轨道使用, 使轨道能吊装
至少两条吊线同时使用方可实现吊装轨道



DC 48V

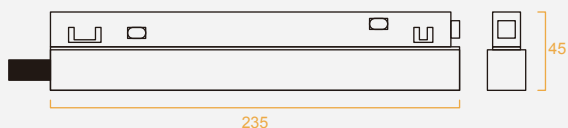
嵌入轨道式变压器

输入电压85-220V

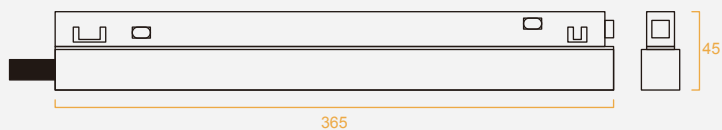
输出电压48V

用于降压轨道条, 使轨道形成低压48V

一体电源100W



一体电源200W



注明提示

同一条轨道系统所有的灯具总W数
不能高于变压器的W数

MAGNETIC TRACK LAMP

